



INSTALLATION  
INSTRUCTIONS

EN

MANUALE  
D'INSTALLAZIONE

IT

NOTICE  
D'INSTALLATION

FR

INSTALLATIONS-  
ANLEITUNGEN

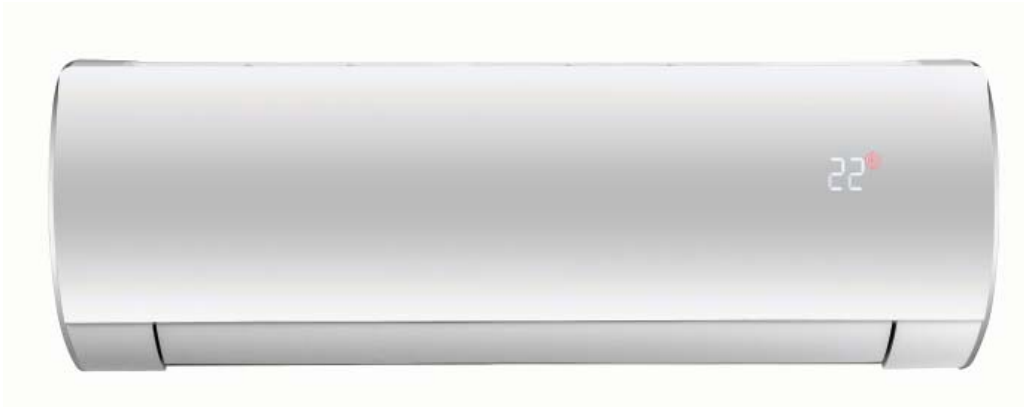
DE

INSTRUCCIONES  
DE INSTALACIÓN

ES

INSTRUÇÕES DE  
INSTALAÇÃO

PT



AWIAS19  
AWIBS19  
AWICS19

**Split air conditioner system**

**Condizionatore d'aria split system**

**Climatiseurs split**

**Zweirohrsystem-Klimaanlage**

**Acondicionador de aire Split System**

**Sistema de ar condicionado de Unidades Separadas**

- 1 - Installation site selection.....4
- 2 - System wiring diagram .....4
- 3 - Wires' length, size and delayed fuse.....4
- 4 - Additional material required for installation (not supplied) .....5
- 5 - Operating limits.....5
- 6 - Dimensions, weight and refrigerant connections .....5
- 7 - Accessories.....5
- 8 - Tools required for installation (not supplied) .....5
- 9 - Installation procedure .....6
- 10 - Remote control unit installation .....9
- 11 - Wired controller installation (if present) .....10
- 12 - Pump Down .....11
- 13 - Outdoor/indoor unit refrigerant circuit address.....12
- 14 - Match between remote controller and indoor unit.....14
- 15 - Home Automation kit.....15
- 16 - Jumper .....15
- 17 - Parameters table.....16
- 18 - Electrical wiring diagram.....17

**IMPORTANT!**

**Please read before installation**

This air conditioning system meets strict safety and operating standards. For the installer or service person, it is important to install or service the system so that it operates safely and efficiently.

**operation, you must:**

- Carefully read this instruction booklet before beginning.
- Follow each installation or repair step exactly as shown.
- Observe all local, state and national electrical codes.
- Pay close attention to all warning and caution notices given in this manual.
- The unit must be supplied with a dedicated electrical line.



**WARNING**

This symbol refers to a hazard or unsafe practice which can result in severe personal injury or death.



**CAUTION**

This symbol refers to a hazard or unsafe practice which can result in personal injury or product or property damage.

**Recommendations**

- The personnel responsible for receiving the unit must conduct a visual inspection in order to identify all damage to which the unit may have been subjected during transport: refrigerating circuit, electrical cabinet, chassis and cabinet.

**If necessary, get help**

These instructions are all you need for most installation sites and maintenance conditions. If you require help for a special problem, contact our sale/service outlet or your certified dealer for additional instructions.

**In case of improper installation**

The manufacturer shall in no way be responsible for improper installation or maintenance service, including failure to follow the instructions in this document.

**SPECIAL PRECAUTIONS**

- During installation, connect before the refrigerant system and then the wiring one; proceed in the reverse order when removing the units.

**WARNING****When wiring**

**ELECTRICAL SHOCK CAN CAUSE SEVERE PERSONAL INJURY OR DEATH. ONLY A QUALIFIED, EXPERIENCED ELECTRICIANS SHOULD ATTEMPT TO WIRE THIS SYSTEM.**

- Do not supply power to the unit until all wiring and tubing are completed or reconnected and checked, to ensure the grounding.
- Highly dangerous electrical voltages are used in this system. Carefully refer to the wiring diagram and these instructions when wiring.  
Improper connections and inadequate grounding can cause **accidental injury and death**.
- **Ground the unit** following local electrical codes.
- The Yellow/Green wire cannot be used for any connection different from the ground connection.
- Connect all wiring tightly. Loose wiring may cause overheating at connection points and a possible fire hazard.
- Do not allow wiring to touch the refrigerant tubing or any moving parts of the fan
- Do not use multi-core cable when wiring the power supply and control lines. Use separate cables for each type of line.

**When transporting**

Be careful when picking up and moving the indoor and outdoor units. Get a partner to help, and bend your knees when lifting to reduce strain on your back. Sharp edges or thin aluminium fins on the air conditioner can cut your fingers.

**When installing...****... At the wall**

Make sure the wall is strong enough to hold the unit-weight. It may be necessary to build a strong wooden or metal frame to provide added supporte.

**... In a room**

Properly insulate any tubing run inside a room to prevent “sweating”, which can cause dripping and water damage to walls and floors.

**When connecting refrigerant tubing**

- Keep all tubing runs as short as possible.
- Use the flare method for connecting tubing.
- Apply refrigerant lubricant to the matching surfaces of the flare and union tubes before connecting them; screw by hand and then tighten the nut with a torque wrench for a leak-free connection.
- Check carefully for leaks before starting the test run.

**NOTE:**

Depending on the system type, liquid and gas lines may be either narrow or wide. Therefore, to avoid confusion, the refrigerant tubing for your particular model is specified as narrow tube for liquid, wide tube for gas.

**When servicing**

- Turn the power OFF at the main power board before opening the unit to check or repair electrical parts and wiring.
- Keep your fingers and clothing away from any moving parts.
- Clean up the site after the work, remembering to check that no metal scraps or bits of wiring have been left inside the unit being serviced.
- Ventilate the room during the installation or testing the refrigeration system; make sure that, after the installation, no gas leaks are present, because this could produce toxic gas and dangerous if in contact with flames or heat-sources.

**REGULATION (EU) No. 517/2014 - F-GAS**

The unit contains R410A, a fluorinated greenhouse gas with a global warming potential (GWP) of 2087.50. Do not release R410A into the atmosphere.

**Model Combinations:**

SEE CATALOGUE

**Power Supply:**

220 - 240 V ~ 50 Hz

## 1 - INSTALLATION SITE SELECTION

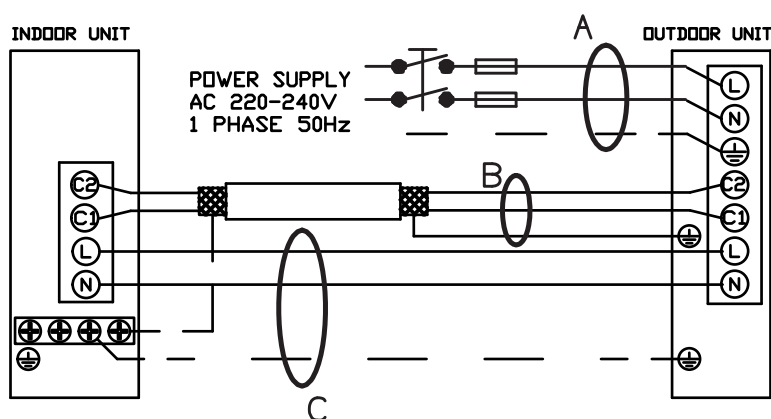
### AVOID

- Direct sunlight.
- Nearby heat sources that may affect unit performance.
- Areas where leakage of flammable gas may be expected.
- Locations where large amounts of oil mist may occur (such as in kitchen or near factory equipment) because oil contamination can cause operation problems and may deform plastic surfaces and parts of the unit.
- Unsteady locations that will cause noise or possible water leakage.
- Locations where the indoor unit and the remote control unit will be splashed with water or affected by dampness or humidity.
- To make holes in areas where electrical wiring or conduits are located

### DO

- Select an appropriate position from which every corner of the room can be uniformly cooled.
- Select a sufficiently strong location to support the weight of the unit.
- Select a location where tubing and drain hose have the shortest run to the outside.
- Allow access for operation and maintenance as well as unrestricted air flow around the unit.

## 2 - SYSTEM WIRING DIAGRAM



 DILAYED FUSE

220 - 240 V ~ 50 Hz



Main switch for disconnection from the supply line must have a contact separation in all poles that provides full disconnection under category III overvoltage conditions.



### WARNING !

Always connect Phase to L and Neutral to N  
**DO NOT INVERT THE WIRES, OTHERWISE  
THE UNIT MAY NOT WORK PROPERLY.**

## 3 - WIRES' LENGTH, SIZE AND DELAYED FUSE

SEE INSTALLATION INSTRUCTIONS OF OUTDOOR UNIT

### Power supply wire A :

Multipolar electric wire; size and length of the suggested electric wire are showed on table "electrical data" (Outdoor unit).

### Connecting wire B (SHIELDED):

Bipolar electric shielded wire; size and length of the suggested electric wire are showed on table "electrical data" (Outdoor unit). The wires have not to be lighter than Mod. H05VVC4V5-K (according to CEI 20-20 CENELEC HD21).

### Connecting wire C (with ground conductor):

Multipolar electric wire; size and length of the suggested electric wire are showed on table "electrical data" (Outdoor unit). The wires have not to be lighter than Mod. H07RN-F (according to CEI 20-19 CENELEC HD22). Make sure the length of the conductors between the fixing point and the terminals allows the straining of the conductors L, N before that of the grounding.

## 4 - ADDITIONAL MATERIAL REQUIRED FOR INSTALLATION (NOT SUPPLIED)

- Deoxidized annealed copper tube for refrigerant tubing connecting the units of the system; it has to be insulated with foamed polyethylene (min. thickness 8mm). For tubing dimensions, tubing length and elevation difference limits, see installation manual of outdoor unit.
- PVC pipe for condensate drain pipe (ø int.18mm) in length suitable to let the condensate flow into the outside drainage.
- Anti-freeze oil for flare connections (about 30g).
- Electric wire: use insulated copper wires of size and length as shown in the paragraph "WIRING DIAGRAMS" (Outdoor unit).

## 5 - OPERATING LIMITS

### ■ Cooling Maximum conditions

Outdoor temperature : 43°C D.B.  
Room temperature : 32°C D.B. / 23°C W.B.

### ■ Cooling Minimum conditions

Outdoor temperature : -15°C D.B.  
Room temperature : 10°C D.B. / 6°C W.B.

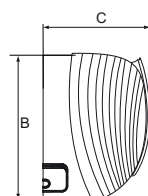
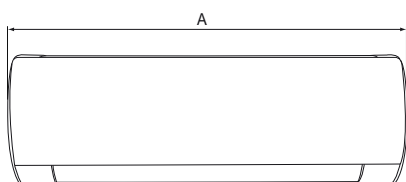
### ■ Heating Maximum conditions

Outdoor temperature : 24°C D.B. / 18°C W.B.  
Room temperature : 27°C D.B.

### ■ Heating Minimum conditions

Outdoor temperature : -15°C D.B.  
Room temperature : 5°C D.B.

## 6 - DIMENSIONS, WEIGHT AND REFRIGERANT CONNECTIONS



MODEL	WEIGHT (kg)
AWIA	11
AWIB	13.5
AWIC	17.5

MODEL	A (mm)	B (mm)	C (mm)	CONNECTIONS
AWIA	889	294	212	1/4" - 3/8"
AWIB	1013	307	221	1/4" - 1/2"
AWIC	1122	329	247	3/8" - 5/8"

## 7 - ACCESSORIES

The following accessories are supplied with the unit:

- Remote control unit.
- Batteries for remote control unit.
- Swivel nuts for pipe connection.
- Insulating tube for piping exiting the unit.
- 4 jumper for PCB configuration (see section "JUMPER")
- Wires for Home automation / wired controller (see section "HOME AUTOMATION KIT"):
  - wire "Input Contact" - ON/OFF
  - wire "Output Contact" - ALARM

### Wired controller (optional - not supplied)

The wired controller (code 387030220) can be purchased separately and can be used to manage the single unit, but also as a centralized controller.

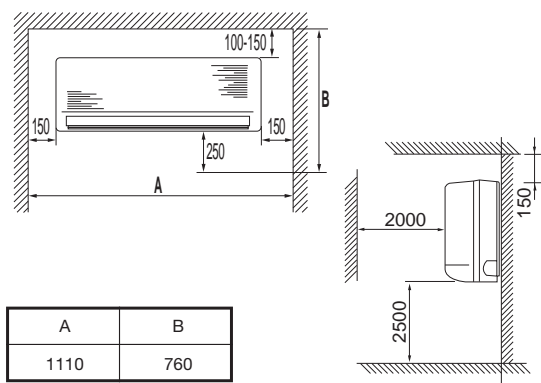
**ATTENTION!** If you connect the wired controller, the receiver located inside the unit will be disabled and the wired controller receiver will be activated, so it will be the latter to communicate with the infrared remote control if necessary.

## 8 - TOOLS REQUIRED FOR INSTALLATION (NOT SUPPLIED)

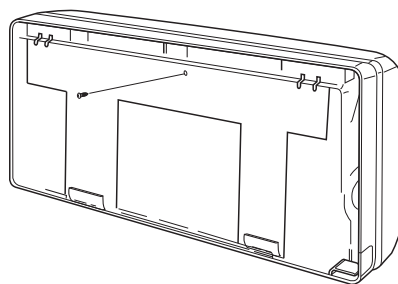
- |                              |                  |                             |
|------------------------------|------------------|-----------------------------|
| 1. Standard screwdriver      | 7. Hacksaw       | 12. Tube flaring tool       |
| 2. Phillips head screwdriver | 8. Core bits ø 8 | 13. Torque wrench           |
| 3. Knife or wire stripper    | 9. Hammer        | 14. Adjustable wrench       |
| 4. Tape measure              | 10. Drill        | 15. Reamer (for reburrring) |
| 5. Level                     | 11. Tube cutter  | 16. Hex. key                |
| 6. Sabre saw or key hole saw |                  |                             |

## 9 - INSTALLATION PROCEDURE

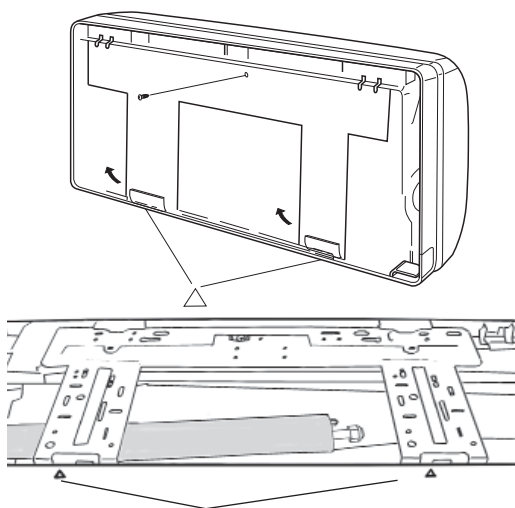
- A** Minimum operation and maintenance area.



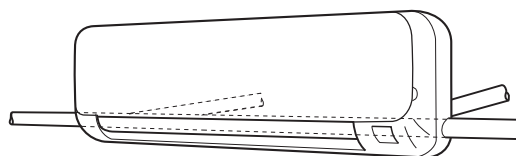
- B** Remove and discard the set screw on the rear panel.



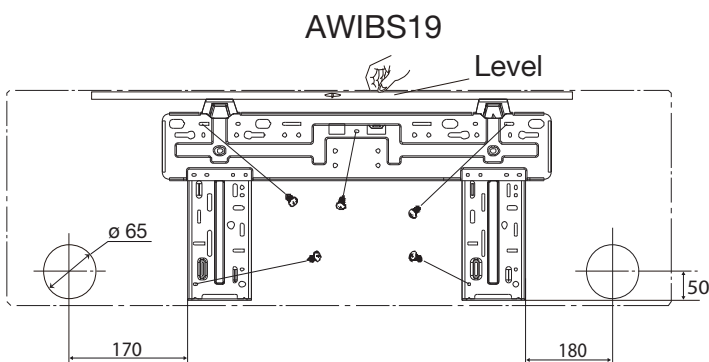
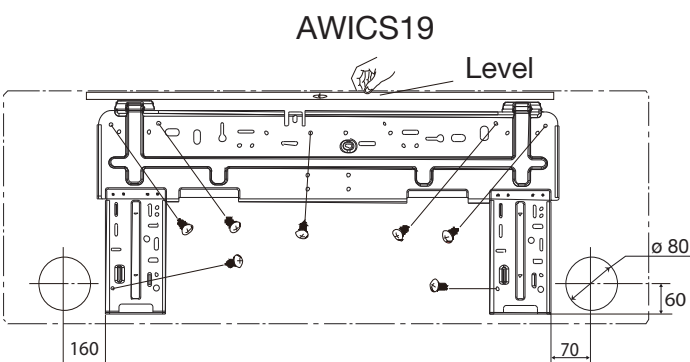
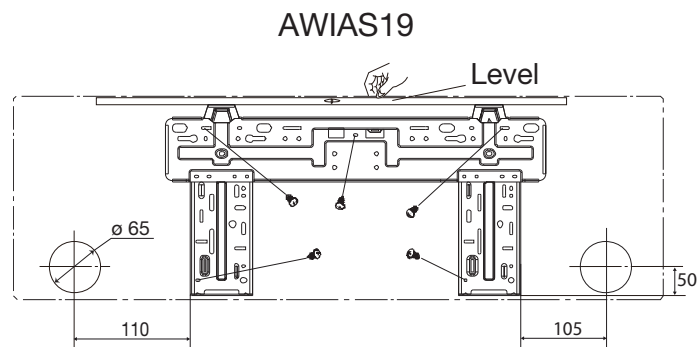
- C** Press on the hooks located below the 2 triangle marks on the frame cover and disengage the frame.



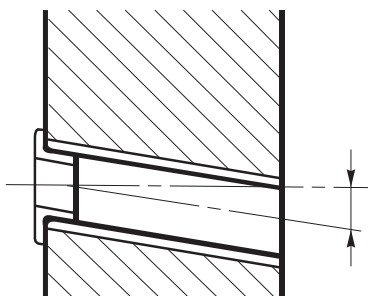
- D** The unit can be connected to four directions: right rear - left rear - right side - left side.



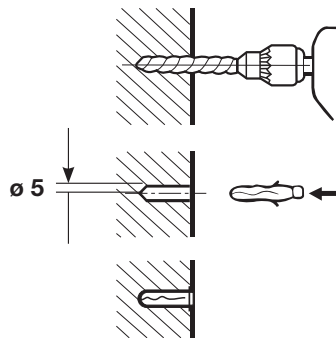
- E** Tubing connections from the rear. Check the horizontal position with the level, mark the holes to be made for the tubes and the screws (see figure for recommended holes' position).



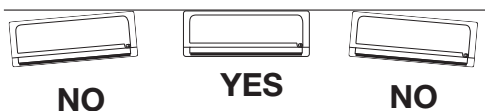
**F** Drill a 65/80 mm diameter hole, insert a PVC pipe.



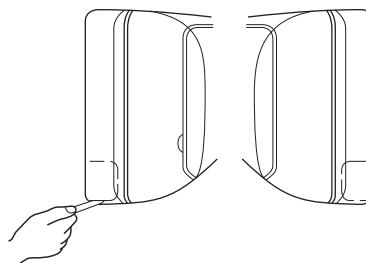
**G** Predispose the fixing of rear panel.



**H** Use the screws to fix the rear panel to the wall. Make sure the panel is flush against the wall. Any space between the wall and unit will cause noise and vibration.



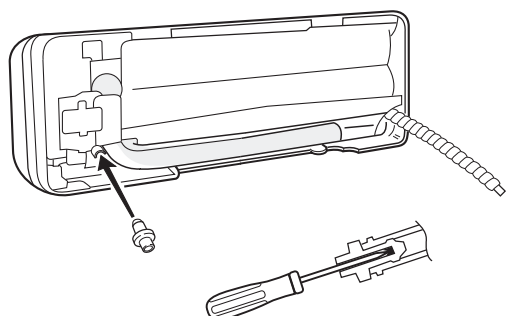
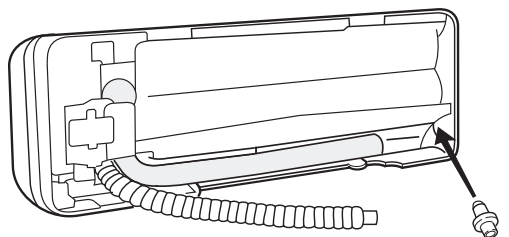
**I** Tubing connections on right or left side. Cut a corner of the frame.



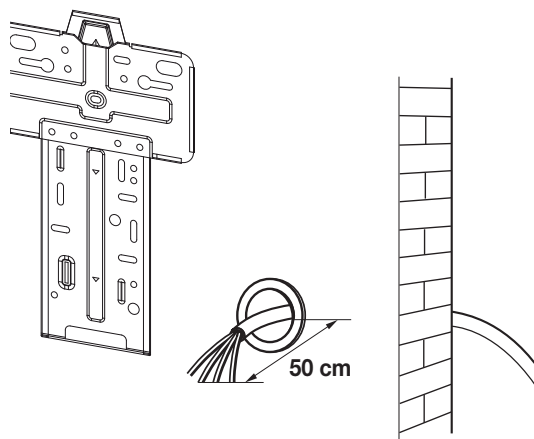
**J** The refrigerant tubes are on the right side of the unit, while the drain hose can be on the right or on the left side.

The drain tray is supplied with two outlets with tube on one side and rubber plug on the other side.

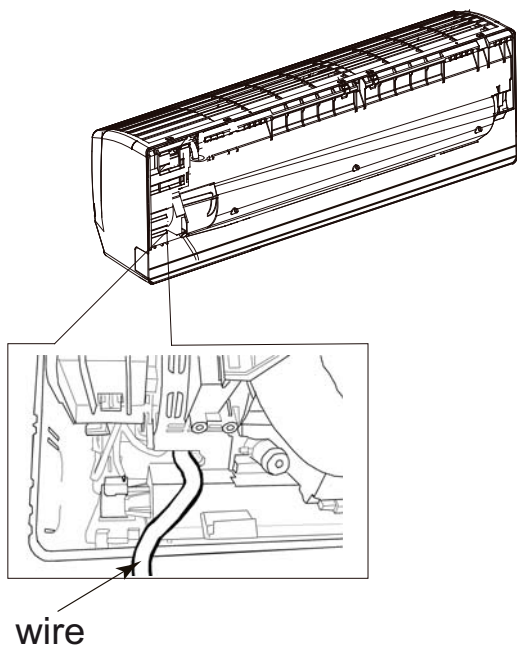
How to reverse the drain hose position: remove the drain hose by turning the metal clip counterclockwise, then remove the rubber plug on the other side of the unit. Replace them inverting their position, use a screwdriver to insert the plug correctly.



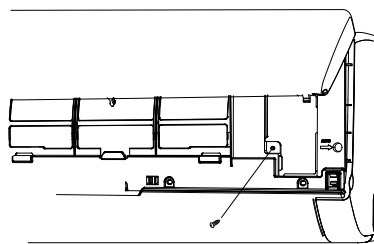
**K** Running the multipolar power supply wire and the connecting wire from indoor to outdoor unit (see table for wires' size).



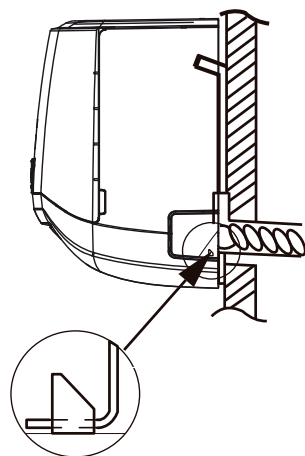
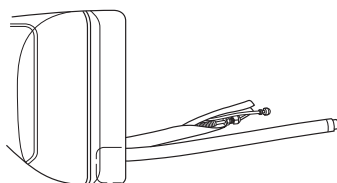
**L** Make the wires go through the cable-cross hole at the back of the indoor unit and then pull them out from the front side.



**M** Open the front panel of the unit. Remove the cover plate screw to reach the terminal strip. Insert the terminals of the wire on the rear and connect them.

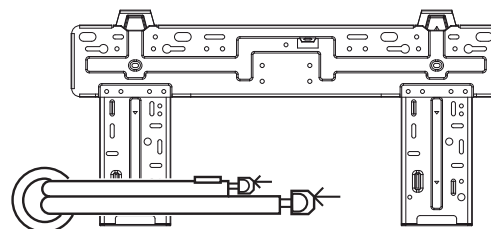


**N RIGHT REAR TUBING**  
Insert refrigerant tubes and drain hose of the unit into the hole in the wall then hang up the unit on the rear panel previously fixed on the wall.



**NOTE:** insulate well the hole in the wall to prevent the sensors to be influenced from the outside air.

**O LEFT REAR TUBING**  
Insert the tubes connecting the units from the outside, then bend them right.



**P** Push lightly to fix the unit to the rear panel.



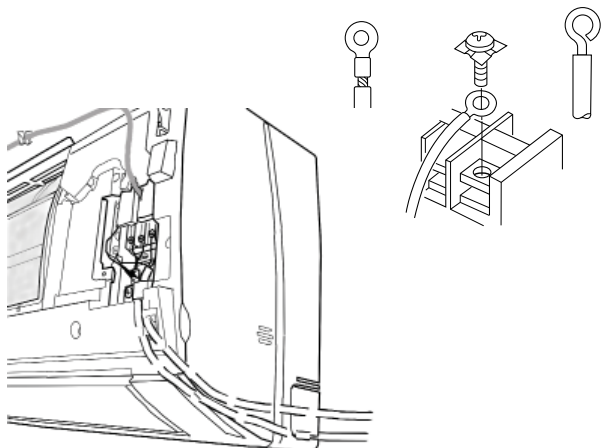


- Q** Predispose the terminals of the wire to connect to the terminal strip, connect them and secure the wiring with clamp provided. (See wiring diagrams).

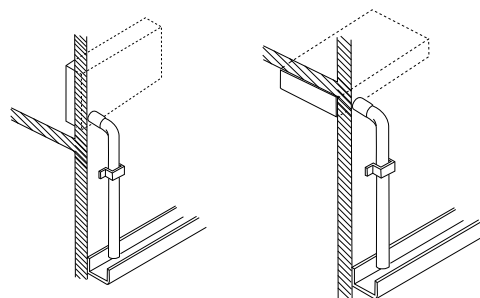


### WARNING

Loose wiring may cause the terminal to overheat or result in unit malfunction. A fire hazard may also exist. Therefore, be sure all wiring is tightly connected.



- G** Install the condensate drain to the outside with a positive slope, form a trap at the end if necessary.



## 10 - REMOTE CONTROL UNIT INSTALLATION

To ensure that the air conditioner operates correctly, DO NOT install the remote control unit in the following places:

- In direct sunlight.
- Behind a curtain or other places where it is covered.
- More than 8 m. away from the air conditioner.
- In the path of the air conditioner airstream.
- Where it may become extremely hot or cold.
- Where it may be subject to electrical or magnetic noise.
- Where there is an obstacle between the remote control unit and air conditioner.

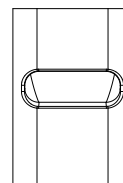
### WALL-MOUNTED POSITION

- Momentarily place the remote control unit in the desired mounting position.
- Verify that the remote control signals are received by the unit from the selected position.
- Fix the support at the wall with two screws and hang the remote control unit.

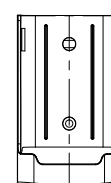
### TABLE STAND

Place the support on a flat surface making sure that the remote control signals are received by the unit from the selected position.

**TABLE  
STAND**

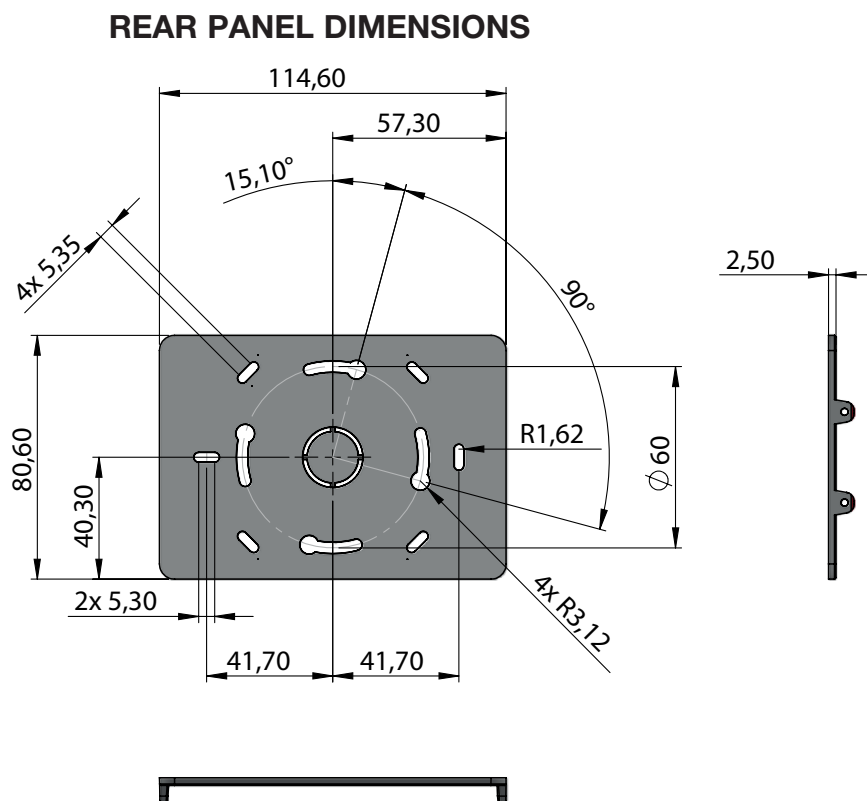


**WALL  
SUPPORT**



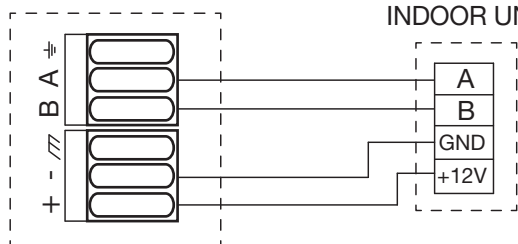
**A MECHANICAL INSTRUCTIONS**

- Remove the rear panel of the wired controller.
- Fix the panel to the wall in the desired position.
- Make the electrical connections to the wired controller (see B).
- Fix the controller to the rear panel previously installed on the wall.

**B ELECTRICAL CONNECTION****SINGLE UNIT CONNECTION**

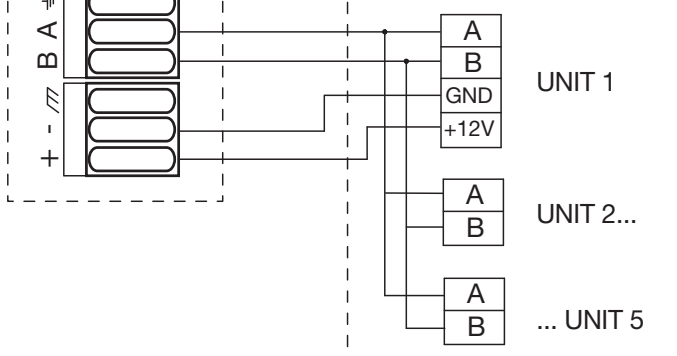
WIRED CONTROLLER

INDOOR UNIT

**MULTI CONFIGURATION: UP TO 5 UNITS**

WIRED CONTROLLER

INDOOR UNITS

**WARNING**

Before installation, please cut off the power supply of the indoor unit to which the wired controller is connected.

**Multipolar wire:**

**Electric cable 12V dc; section: 4 x 0,75mm<sup>2</sup>.**

**ATTENTION!**

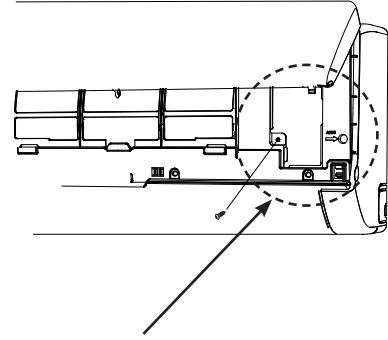
When inserting or removing connectors, press gently on the clamp to facilitate the operation.

**ATTENTION!**

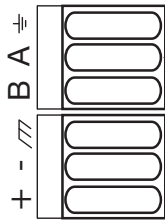
The indoor units controlled by the wired controller must all be connected to the same outdoor unit.

## CONNECTION DETAIL BETWEEN UNIT AND WIRED CONTROLLER

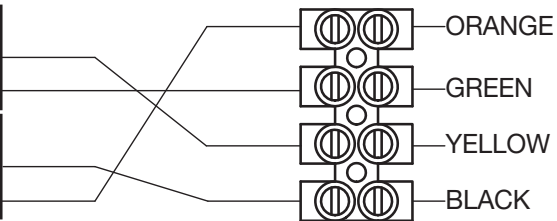
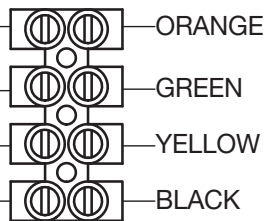
- Open the unit front panel.
- Remove the cover screw to access the terminal block.
- Extract the mammoth located in the lower left of the compartment.
- Eseguire i collegamenti come riportato di seguito.



### WIRED CONTROLLER



### 4 POLES TERMINAL BLOCK (MAMMOTH) INSIDE THE TERMINAL BLOCKS' COMPARTMENT



## 12 - PUMP DOWN (See Installation Instruction of Outdoor Unit)

Pump down means collecting all refrigerant gas in the system back into the outdoor unit without losing gas. Pump down is used when the unit is to be moved or before servicing the refrigerant circuit.

## 13 - OUTDOOR/INDOOR UNIT REFRIGERANT CIRCUIT ADDRESS

Indoor units that are part of a multisplit system must be properly configured to be able to communicate with the outdoor unit over different channels (Indoor A, Indoor B, etc...) of the communication bus.

Each indoor unit address must correspond to the physical connection of the indoor unit to the outdoor unit refrigerant circuit, i.e.:

Refrigerant Circuit A <--> Indoor Unit Address A

Refrigerant Circuit B <--> Indoor Unit Address B

...

There are three methods to set the address of an indoor unit:

(1) **Dip-switch setting:** the address is set by mean of a dip-switch located on the indoor unit pcb.

(2) **Remote controller procedure:** the address is set with the remote control via parameter P08.

**Wired controller procedure:** the address is set with the controller via parameter P8

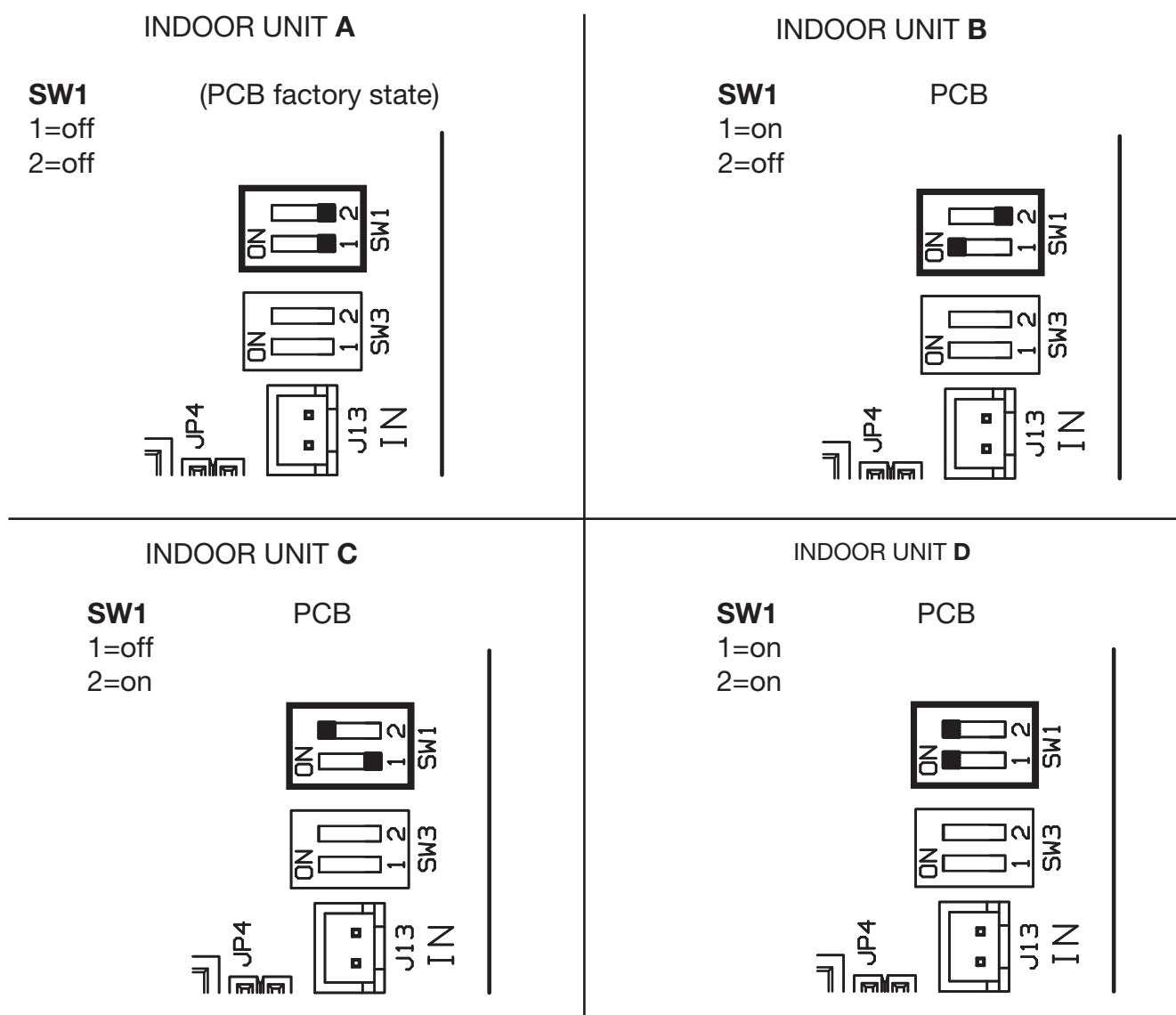
(3) **Automatic addressing procedure:** the address is automatically set on every indoor unit of the system starting the automatic addressing procedure via parameter P30.

### (1) ADDRESS SETTING THROUGH DIP-SWITCHES (UP TO 4 INDOOR UNITS)



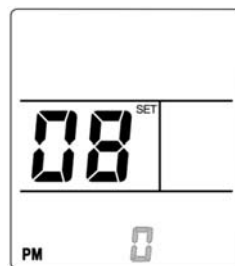
**Disconnect the power**

Check that the setting of switch SW1 (PCB) corresponds to the figure:



## (2) ADDRESS SETTING THROUGH REMOTE CONTROLLER WITH PARAMETER P08 (UP TO 5 INDOOR UNITS)

- Press the button  $\text{MODE}_{\text{SET}}$  for a few seconds.
- Press the arrow  $\wedge$  until you visualize 08.
- Press the button  $\text{MODE}_{\text{SET}}$  again for a few seconds: the number 0 (factory setting) at the bottom starts flashing.
- Press the arrow  $\wedge$  to set the unit's number.
- Confirm with the button  $\text{MODE}_{\text{SET}}$ .
- Press (I) to exit the menu.



1	UNIT A
2	UNIT B
3	UNIT C
4	UNIT D
5	UNIT E

If the signal is received, the indoor unit will emit 5 consecutive beeps. Make sure that the signal is received only by the indoor unit you want to set

### NOTES

- Address setting via remote control cancels and replaces any addresses set with the indoor unit microswitches.
- If you set P08=0, the addresses set with the microswitches of the indoor unit are valid again.
- For electrical connections, refrigerant circuit connection and check, consult the Installation Instruction of outdoor unit.

### ADDRESS SETTING THROUGH WIRED CONTROLLER WITH PARAMETER P8 (UP TO 5 INDOOR UNITS)

- Press the MENU / PARAMETERS button for 2 seconds.
- Use the  $\wedge$  /  $\vee$  buttons until 8 is displayed.
- Press the OK button for 2 seconds: now it is possible to change the value of the parameter using the  $\wedge$  /  $\vee$  buttons.
- Set the unit's number
- Press OK to confirm.

## (3) AUTOMATIC ADDRESSING PROCEDURE

### System requirements:

Outdoor unit must have a recent firmware version that supports the automatic addressing procedure.

Indoor units must have a recent firmware version that supports the automatic addressing procedure

Dip-switch for communication address setting on the indoor unit (SW1) must be left to the factory default state, i.e. to the OFF position.

### Activation of automatic addressing procedure with the parameter P30=1

Power on the whole system.

Verify that there is no error on the indoor units, but the "E0" error (address not set - see Auto-diagnosis table).

Switch on the remote controller of any of the indoor units of the system and set the parameter P30=1

- Press the button  $\text{MODE}_{\text{SET}}$  for a few seconds.
- Press the arrow  $\wedge$  until you visualize 30.
- Press the button  $\text{MODE}_{\text{SET}}$  again for a few seconds: the number 0 (factory setting) at the bottom starts flashing.
- Press the arrow  $\wedge$  to set the number 1.
- Confirm with the button  $\text{MODE}_{\text{SET}}$ .
- Press (I) to exit the menu.

If the signal is received, the indoor unit will emit 5 consecutive beeps.

After some seconds, every indoor unit display will show the the symbol "[ ]" to confirm that the automatic addressing procedure has been activated.

From this moment until the end of the procedure the indoor units will not receive anymore the signals from the remote controllers (infrared receiver is disabled).

### Execution of automatic addressing procedure

Once the procedure has been activated, the system will run automatically to set the address of every indoor unit. In this period, compressor and fan motor will be activated.

Once activated, the procedure takes about 4-5 minutes per outdoor unit circuit to be completed. This time doesn't depend on the number of indoor units actually connected to the outdoor unit, but on the number of refrigerant circuits of the outdoor unit.

### End of automatic addressing procedure

When all the circuits have been tested and the address of every indoor unit has been set, the outdoor unit will stop and every indoor unit will switch off (standby mode).

In any case (procedure successful or failed) the infrared receiver of every indoor unit will be re-activated.

If there is no error on the indoor units, the system is ready to be used.

If there is E0 error (address not set - see Auto-diagnosis table) on any indoor unit, re-run the automatic addressing procedure or manually set the address on that indoor unit with the dip-switch or with the remote controller.

## 14 - MATCH BETWEEN REMOTE CONTROLLER AND INDOOR UNIT (TRANSMISSION CHANNEL)

The remote control can be addressed to use up to 4 different units installed in the same room.

You can get unified control by using a single remote control for all units or each remote control can be addressed to its own unit, in order to control separately temperature, timer and all other functions.

### PCB SETTING

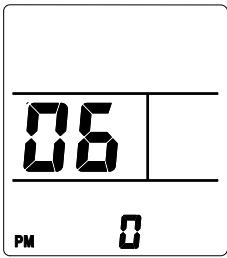
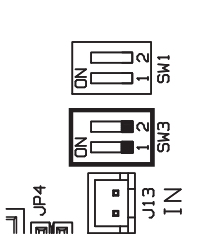
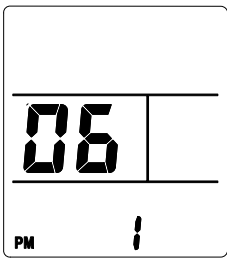
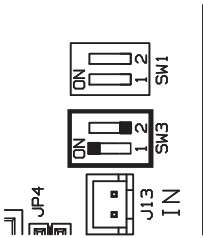
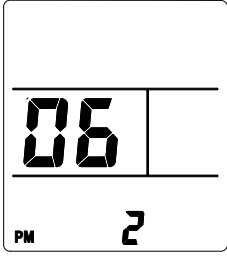
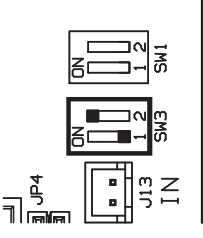
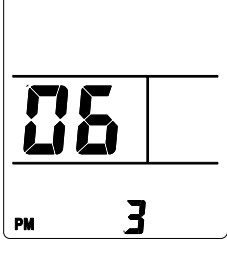
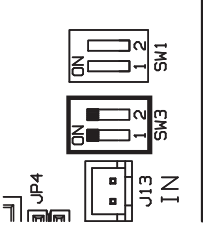
- Disconnect the unit power supply and wait at least 60 seconds, making sure that all the lamps go off.
- Remove the front panel to access the pcb.
- Set SW3 as shown in the table.
- Close the front panel.
- Reconnect the unit power supply.

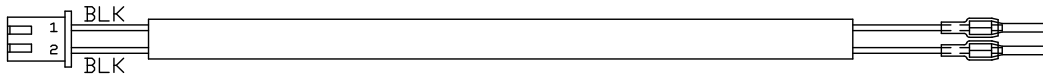
### REMOTE CONTROLLER SETTING

- Press the button  $\text{MODE}_{\text{SET}}$  for a few seconds.
- Press the arrow  $\wedge$  until you visualize 06.
- Press the button  $\text{MODE}_{\text{SET}}$  again for a few seconds: the number 0 (factory setting) at the bottom starts flashing.
- Press the arrow  $\wedge$  to set 0, 1, 2 or 3.
- Confirm with the button  $\text{MODE}_{\text{SET}}$ .
- Press  $\text{ON}$  to exit the menu.

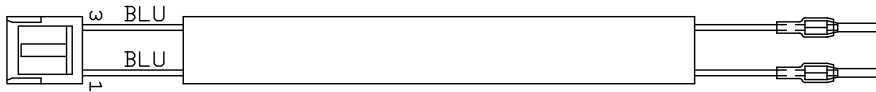
### WIRED CONTROLLER SETTING

- Press the MENU / PARAMETERS button for 2 seconds.
- Use the  $\wedge$  /  $\vee$  buttons until 6 is displayed.
- Press the OK button for 2 seconds: now it is possible to change the value of the parameter using the  $\wedge$  /  $\vee$  buttons.
- Set 0, 1, 2 or 3.
- Press OK to confirm.

CHANNEL	REMOTE CONTROL UNIT	UNIT PCB
0 FACTORY STATE		 SW3: 1=OFF 2=OFF
1		 SW3: 1=ON 2=OFF
2		 SW3: 1=OFF 2=ON
3		 SW3: 1=ON 2=ON



ON / OFF



ALARM

**“INPUT CONTACT” WIRE ON/OFF (J13 - green)**

The status of this input affects system operation according to the following:

Contact OPEN : system does not operate (always OFF) – inputs from wireless remote controller are not processed.  
 Contact CLOSED: system operates in the normal way according to the inputs coming from wireless remote controller.

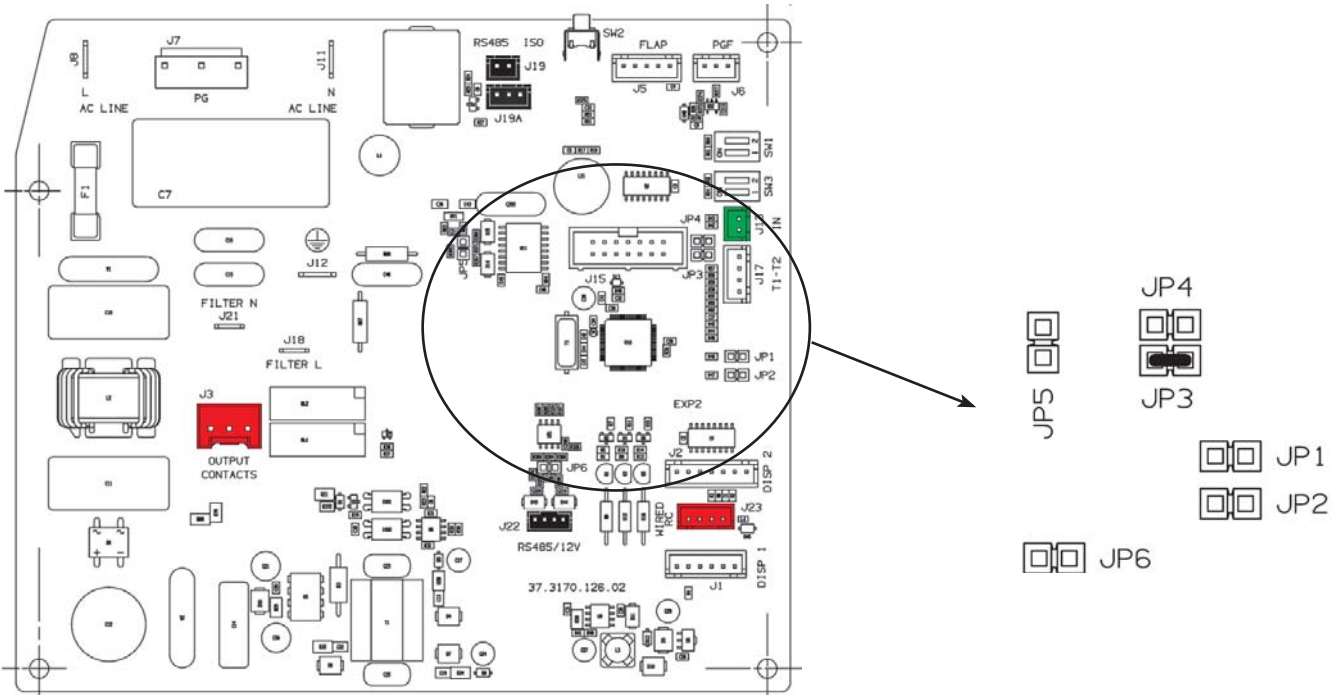
**“OUTPUT CONTACT” WIRE ALLARM (J3 - red)**

This connector is directly tied to the contact (normally open) of a power relay which activates every every time the following alarm condition occur:

- RAT damaged
- ICT damaged
- Communication error
- Fault on outdoor unit

In this case when alarm happens, on poles 1 and 3 of J3 connector, 220-240 VAC-50Hz voltage is available.  
 Max electrical current: 1A

## 16 - JUMPER



**JP1 - JP2**

OPEN: Factory setting. Do not change. .

**JP3**

CLOSE: Factory setting. Do not change.

**JP4**

OPEN: Factory setting. Do not change.

**JP5**

OPEN: Termination resistor (200 Ω) communication bus not inserted. Factory setting.

CLOSE: Termination resistor (200 Ω) communication bus inserted.

**JP6**

OPEN: Termination resistor (200 Ω) communication bus 2 not inserted. Factory setting.

CLOSE: Termination resistor (200 Ω) communication bus 2 inserted.

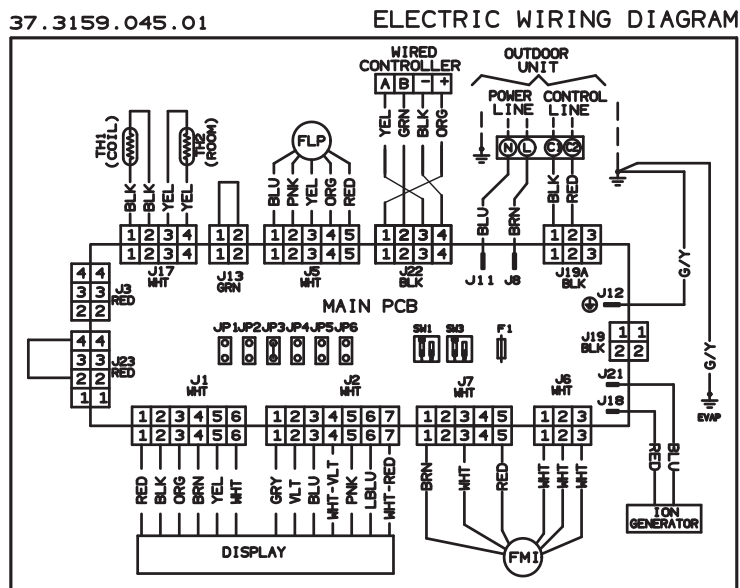
## 17 - PARAMETERS TABLE

Par.	Parameter name	Min	Default	Max	Values
P00	Factory default reset	0	0	3	0 = No action 1 = Reset all remote control parameters to factory default value 2 = Reset all unit parameters to factory default value
P01	Software version	0	-	7	Software version of the remote controller
P03	Carrier frequency infrared signal	0	0	1	0 = 33 kHz 1 = 38 kHz
P05	Temperature scale	0	0	1	0 = °C (Celsius) 1 = °F (Fahrenheit)
P06	Transmission channel	0	0	3	0 = Channel #0 1 = Channel #1 2 = Channel #2 3 = Channel #3
P08	Communication address/ refrigerant circuit	0	0	8	See installation manual. Do not modify during operation.
P09	Humidity threshold setting	0	50	99	Threshold % relative humidity
P12	ECO mode power input limit	30	75	99	When ECO mode is selected, max electrical power input of the unit is limited to P12: 30 = 30% of Max Power Input 31 = 31% of Max Power Input ... 99 = 99% of Max Power Input
P13	Room Air Temperature heating shift	0	3	10	0 = 0°C 1 = 1°C ... 10 = 10°C This parameter can be modified according to the stratification of the air during heating operation
P30	Special command	0	0	1	1=activation of auto-addressing procedure

## WIRED CONTROLLER

P1	RESET DEFAULT VALUES	OFF
P6	TLC CHANNEL	0
P8	CIRCUIT ADDRESS	A
P9	RH TRESHOLD	50%
P12	ECO MODE %	75%
P13	RAT CORRECTION	0
P14	ANTIFREEZE CORRECTION	0
P15	MODBUS ADDRESS	1
P16	MODBUS BAUD RATE	19200
P17	PARITY MODE	1
P18	FAN SPEED SHIFT	0
	LCD CONTRAST	50
	LCD BRIGHTNESS	90
	UNIT TYPE	
	UNIT SW CODE	
	UNIT SW VERSION	
	PANEL SW VERSION	





Wires color legend

	EG	I	F	D	E	P
BLK	BLACK	NERO	NOIR	SCHWARZ	NEGRO	PRETO
BLU	BLUE	BLU	BLEU	BLAU	AZUL	AZUL
BRN	BROWN	MARRONE	MARRON	BRAUN	MARRÓN	CASTANHO
G/Y	GREEN / YELLOW	VERDE / GIALLO	VERT / JAUNE	GRÜN / GELB	VERDE / AMARILLO	VERDE / AMARELO
GRY	GREY	GRIGIO	GRIS	GRAU	GRIS	CINZENTO
ORG	ORANGE	ARANCIONE	ORANGE	ORANGE	NARANJA	COR-DE-LARANJA
PNK	PINK	ROSA	ROSE	ROSA	ROSA	COR-DE-ROSA
RED	RED	ROSSO	ROUGE	ROT	ROJO	ENCARNADO
VLT	VIOLET	VIOLA	VIOLET	VIOLETT	VIOLETA	VIOLETA
WHT	WHITE	BIANCO	BLANC	WEISS	BLANCO	BRANCO
YEL	YELLOW	GIALLO	JAUNE	GELB	AMARILLO	AMARELO

---

**argoclima** s.p.a.

Via Alfeno Varo, 35 - 25020 Alfianello - BS - Italy

Tel. +39 0331 755111 - Fax +39 0331 755501

[www.argoclima.com](http://www.argoclima.com)

---