

SD DIRECT-EXPANSION INDOOR UNIT VERTICAL/HORIZONTAL BUILT-IN



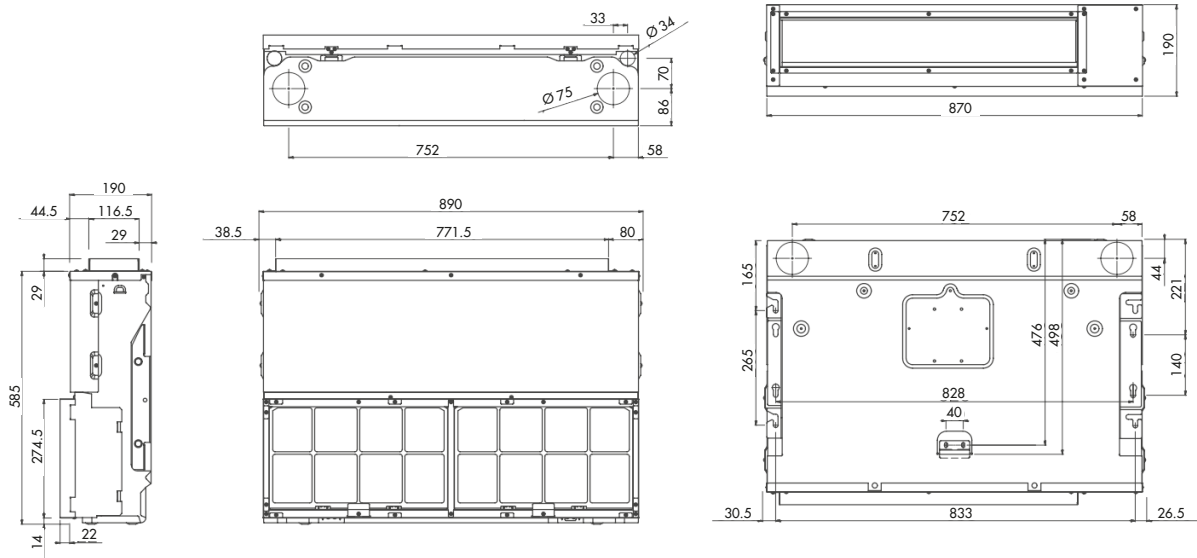
Code	Model	Size
387006188	SDIAS8DC	A
387006189	SDIBS9DC	B

Compact and reversible indoor ductable unit with only 19 cm of depth suitable for villas, offices, hotel rooms, restaurants and public spaces. SD can be fitted both vertically and horizontally hidden in specially made spaces. It is operated by remote control by installing a specific infrared receiver and a 5 m cable (supplied).



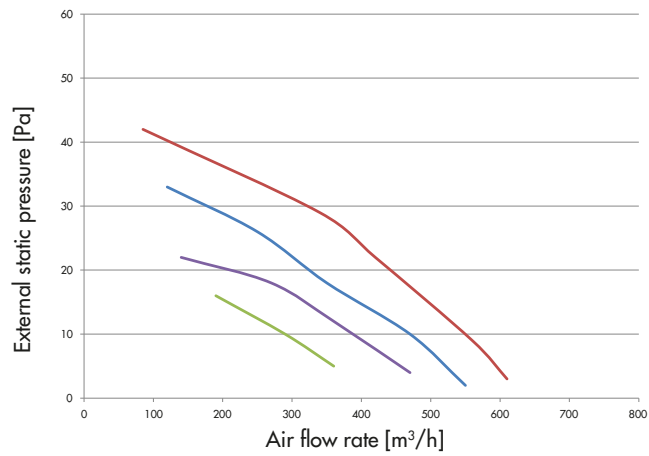
MODEL		SDIAS8DC	SDIBS9DC
Heating/Cooling capacity	kW	up to 3.7/4.0	up to 5.7/7.0
Size		A	B
Air flow rate (sl.-l.-m.-h.)	m ³ /h	310-390-430-520	450-510-610-720
Dehumidification	l/h	1.3	2.3
Fan speed	n°	3 - auto - by remote control	3 - auto - by remote control
Sound pressure at 2 m (sl.-l.-m.-h.)	dB(A)	24-26-30-37	35-40-46-49
Electrical power supply	V/Ph/Hz	230/1/50-60	230/1/50-60
Type of motor		DC Inverter	DC Inverter
Electrical power input	W	37	75
Power input	A	0.17	0.33
Liquid pipe diameter	mm (inch)	6.35 (1/4")	6.35 (1/4")
Gas pipe diameter	mm (inch)	9.52 (3/8")	12.7 (1/2")
Net dimensions (H./W./D.)	mm	680/900/190	680/900/190
Net weight	kg	25	25
Remote control supplied		Yes	Yes
Room temperature adjustment range	°C	from +10 to +32	from +10 to +32
Relative humidity sensor		Yes	Yes

SD DIRECT-EXPANSION INDOOR UNIT VERTICAL/HORIZONTAL BUILT-IN



EXTERNAL STATIC PRESSURE/AIR FLOW RATE DIAGRAM

SDIAS8DC unit



SDIBS9DC unit

