

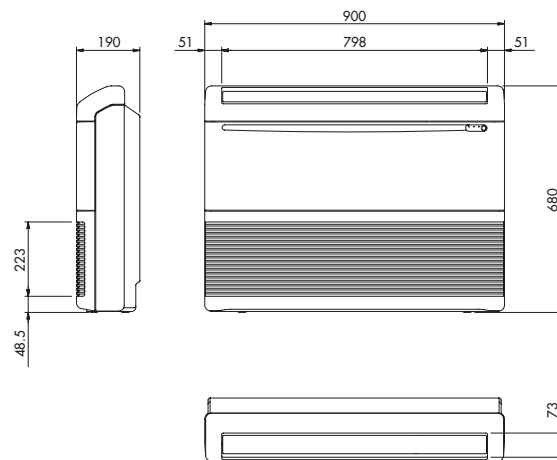
FC DIRECT-EXPANSION INDOOR UNIT FLOOR/CEILING MODEL



PHASE OUT

Code	Model	Size
387005013	FCIAS8DC	A
387005014	FCIBS9DC	B

Reversible indoor unit for floor or ceiling use and can be fitted in sight. Integrates perfectly into any space. The depth of only 19 cm and quiet operation at 24 dB(A) make this unit an excellent solution for villas, offices, hotel rooms, restaurants and public spaces. Featuring easy installation and condensation discharge, the unit is simple and convenient to maintain. It's equipped with a special humidity sensor.



MODEL		FCIAS8DC	FCIBS9DC
Heating/Cooling capacity	kW	up to 3,7 / 3,9	up to 5,7 / 7,0
Size		A	B
Air flow rate (sl.-l.-m.-h.)	m ³ /h	310-390-430-520	450-510-610-720
Dehumidification	l/h	1,3	2,3
Fan speed	n°	3 + auto - by remote control	3 + auto - by remote control
Sound pressure at 2 m (sl.-l.-m.-h.)	dB(A)	24-26-30-37	35-40-46-49
Electrical power supply	V/Ph/Hz	230/1/50-60	230/1/50-60
Type of motor		DC Inverter	DC Inverter
Electrical power input	W	0,037	0,075
Power input	A	0,17	0,33
Liquid pipe diameter	mm (inch)	6,35 (1/4")	6,35 (1/4")
Gas pipe diameter	mm (inch)	9,52 (3/8")	12,7 (1/2")
Net Dimension (H./W./D.)	mm	680/900/190	680/900/190
Net weight	kg	23,5	23,5
Remote control supplied		Yes	Yes
Room temperature adjustment range	°C	from +10 to +32	from +10 to +32
Relative humidity sensor		Yes	Yes