



INSTALLATION MANUAL EN

MANUALE DI INSTALLAZIONE IT

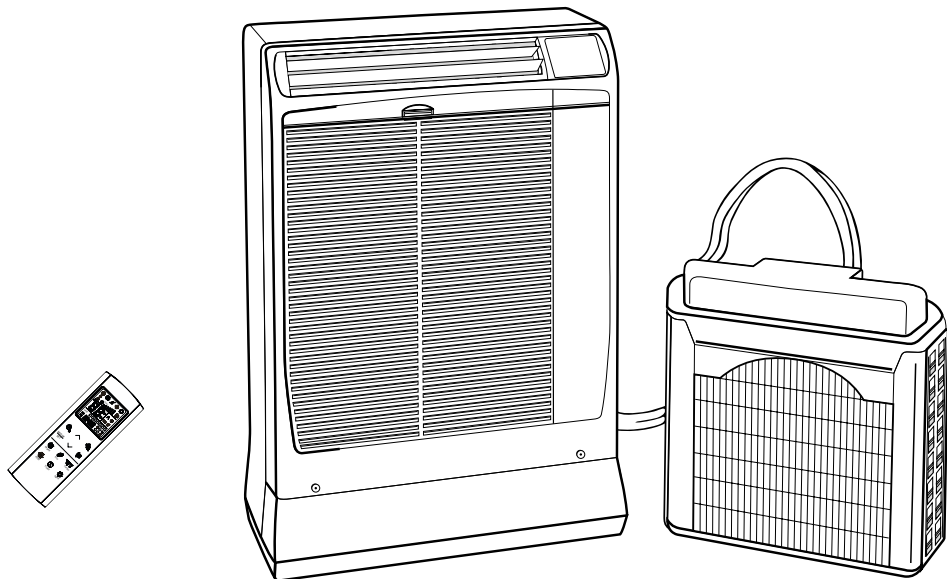
NOTICE D'INSTALLATION FR

INSTALLATIONSANLEITUNG DE

INSTRUCCIONES DE INSTALACIÓN ES

INSTRUÇÕES DE INSTALAÇÃO PT

ULISSE ECO



Room air conditioner with remote condenser
Condizionatore d'ambiente con condensatore remoto
Climatiseur avec condenseur a air exterieur - Klimagerät mit außengerät
Acondicionador de ambiente con condensador a distancia
Ar Condicionado com condensador remoto

CONTENTS

EN

| | |
|---------------------------------------------------------------|----|
| 1 - General precaution | 3 |
| 2 - Installation site selection. | 3 |
| 3 - Accessories and tools required for installation | 3 |
| 4 - Dimensions and weight | 4 |
| 5 - Minimum operation and maintenance area | 4 |
| 6 - Tubing length and elevation difference limits. | 4 |
| 7 - Installation of outdoor unit | 5 |
| 8 - Wall installation (through a hole in the wall) | 7 |
| 9 - How to connect the flexible tube extension kit | 9 |
| 10 - Remote control unit installation | 10 |
| 11 - Maintenance of the refrigerant circuit. | 10 |
| 12 - Match between remote controller and the unit | 11 |
| 13 - Electrical wiring diagrams. | 12 |

REGULATION (EU) No. 517/2014 - F-GAS

The unit contains R32, a fluorinated greenhouse gas with a global warming potential (GWP) of 675. Do not release R32 into the atmosphere.

R32 (STANDARD): 0.750 kg / 0.506 Tonn. CO2 eq.
R32 (STANDARD + 2 m): 0.785 kg / 0.530 Tonn. CO2 eq.
R32 (STANDARD + 4 m): 0.820 kg / 0.554 Tonn. CO2 eq.

Power supply:

220 - 240 V ~ / 1 / 50 Hz



The unit contains R32, a slightly flammable gas.



Before installing the unit, read this installation manual and strictly follow all safety instructions. Always contact an Argoclima Service Center.



Any repair must be performed by qualified personnel, following the instructions contained in the manufacturer's technical manual.

IMPORTANT

- Do not try to accelerate the defrosting process or to clean the appliance in different ways other than those recommended by the manufacturer.
- The unit has to be stored in a room that doesn't have any continuously operating ignition sources (for example: open flames, an operating gas appliance or an operating electric heater).
- Do not pierce or burn the unit.
- Be aware that refrigerants do not have any odour.
- This unit has to be installed, operated and stored in a room with a floor area larger than 6m². The room must be well ventilated.

IN CASE OF MAINTENANCE OF THE REFRIGERANT CIRCUIT

- The installer must be in possession of the F-GAS certification without any integration.
- The installer must have the appropriate equipment (vacuum pump and recuperator) certified for R32.

1 - GENERAL PRECAUTION

- Check that the voltage and frequency of the power supply match those required by the system.
- Check the possibility to have the power line to the indoor unit (**ELECTRIC CABLE LENGTH 3 m**).
- Install a double - pole switch, protected by 10 A fuses of the delayed type, upstream the electricity wall socket.
- Make sure that the electrical installation is suitable to supply continuously current necessary for the air conditioner in addition to that already used by other electric appliances (white goods, lighting). See the max electric input indicated on the name plate positioned on the air conditioner.
- **Before connecting the air conditioner to a power socket, make sure that the socket is provided with an earth connection in compliance with local codes.**

2 - INSTALLATION SITE SELECTION

INDOOR UNIT

AVOID:

- Positioning the indoor unit into rooms where it could be sprinkled with water (i.e. laundries).
- Installation in areas where leakage of flammable gas or large amount of mist may be expected humidity location.
- Direct sunlight or near by heat source that may affect performance of the unit.
- Installing the unit behind curtains or furniture that obstruct air circulation.

DO:

- Choose a position which allows proper ventilation in the room.
- Verify respect of the minimum recommended maintenance space.

OUTDOOR UNIT




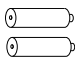


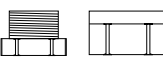



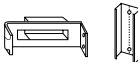

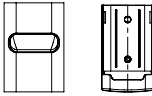


AVOID:

- Direct sunlight or area where hot air from exhaust fans investing the unit.

DO:

- Choose a place as cool as possible and well ventilated.

3 - ACCESSORIES AND TOOLS REQUIRED FOR INSTALLATION

| ACCESSORIES SUPPLIED WITH THE UNIT | | | OUTDOOR UNIT SUPPORT BRACKET KIT | | | CONNECTION EXTENSION KITS - LENGTH OF 2 OR 4 m | | |
|-------------------------------------------------------------------------------------|----------------------------------|-------|-------------------------------------------------------------------------------------|--------------------------------|-----|---------------------------------------------------------------------------------------|-----------------------------------|---|
| FIGURE | PARTS | NR° | ACCESSORY SUPPLIED ON REQUEST | | | ACCESSORY SUPPLIED ON REQUEST | | |
|  | REMOTE UNIT CONTROL | 1 |  | RAWL PLUG SX 10 | 3 |  | EXTENSION KIT FOR CONNECTION TUBE | 1 |
|  | BATTERIES FOR REMOTE CONTROL | 2 |  | SCREW 7x65 | 3 |  | CONNECTIONS PLASTIC BOX | 1 |
|  | PLASTIC PLUG (MALE AND FEMALE) | 2 + 2 |  | WASHER | 3 |  | RAWL PLUG | 3 |
|  | FELT PADS | 4 |  | OUTDOOR UNIT SUPPORT AND GUIDE | 1+1 |  | TAPPING SCREW ø 3,5 x 45 | 3 |
|  | SUPPORTS FOR REMOTE UNIT CONTROL | 2 |  | SCREW 4,2x13 | 2 |  | CLAMP | 2 |

THE EXTENSION KITS ARE SUPPLIED PRECHARGED

Before the installation, verify that they are fit for the unit.

| NARROW TUBE OUTSIDE DIA. | LARGE TUBE OUTSIDE DIA. |
|--------------------------|-------------------------|
| 6,35 mm | 7,93 mm |

TOOLS REQUIRED FOR INSTALLATION (NOT SUPPLIED)

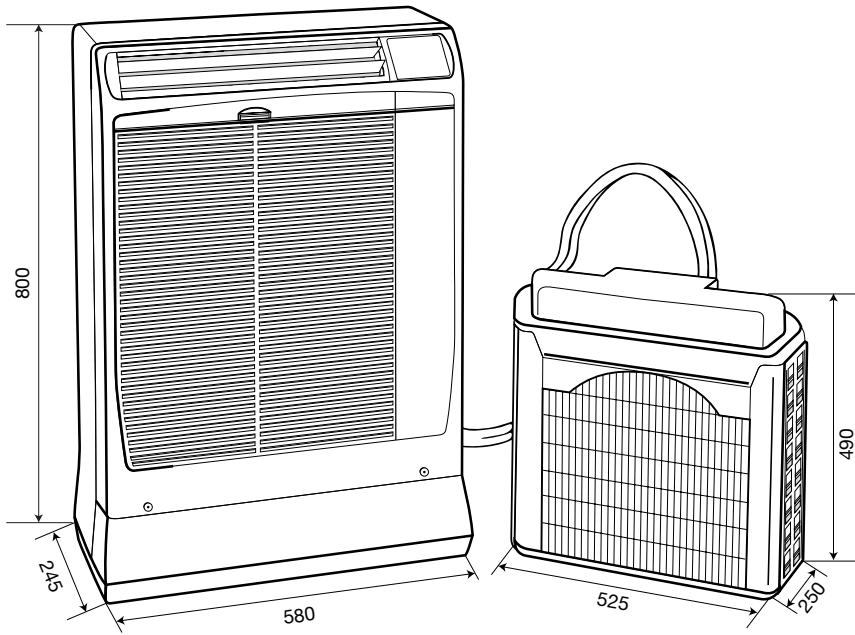
- Phillips head screw driver • Tape measure • Level • Hammer drill • Hole saw or key hole saw ø 50
- 19 mm wrench • 21 mm wrench • 24 mm wrench • Hammer • Hacksaw • Core bits 10 mm diameter drill bit.

ADDITIONAL MATERIAL REQUIRED FOR INSTALLATION (NOT SUPPLIED)

- Synthetic oil HAB - Alkylbenzene type ex. EXXON ZERICE S, about 30 gr.
- PVC pipe to insulate hole in the wall, external diameter 50 mm. of minimum length as for thickness wall.

4 - DIMENSIONS AND WEIGHT

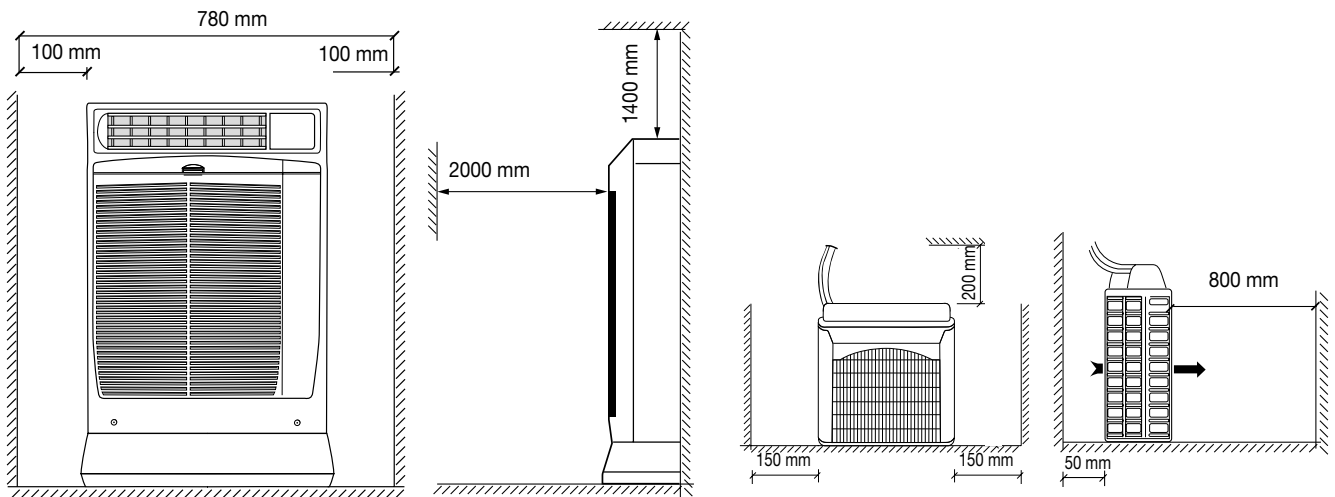
EN



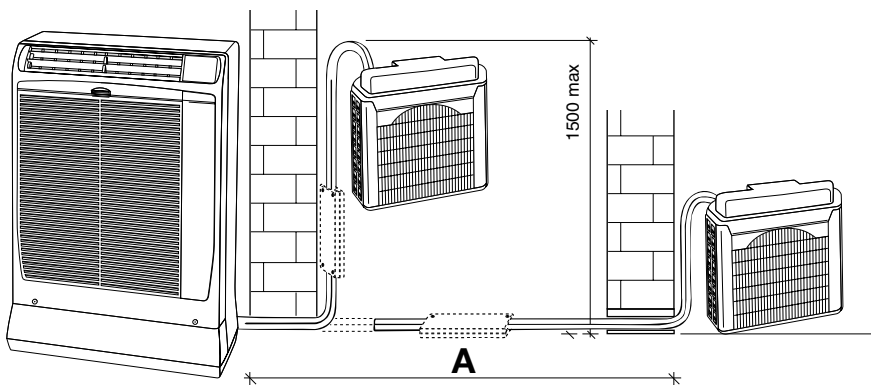
Net weight: 57 Kg

Unit: mm

5 - MINIMUM OPERATION AND MAINTENANCE AREA



6 - TUBING LENGTH AND ELEVATION DIFFERENCE LIMITS

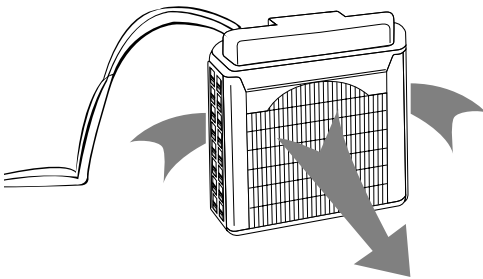
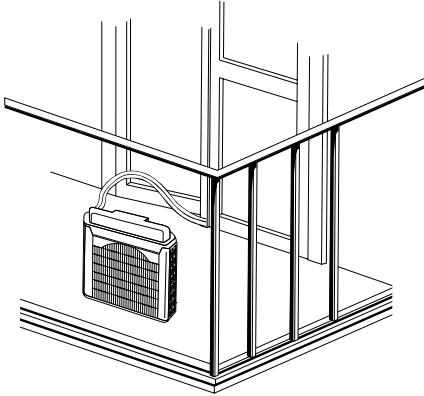


| Standard mm | 2 m system extension kit | 4 m system extension kit |
|------------------|--------------------------|--------------------------|
| A 1500 | A 3500 | A 5500 |

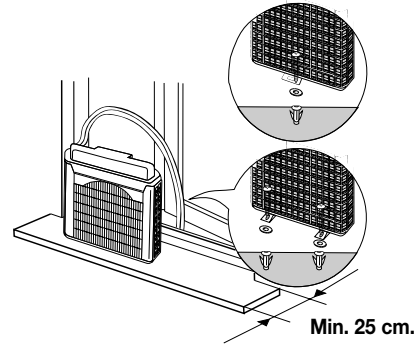
7 - INSTALLATION OF OUTDOOR UNIT

EN

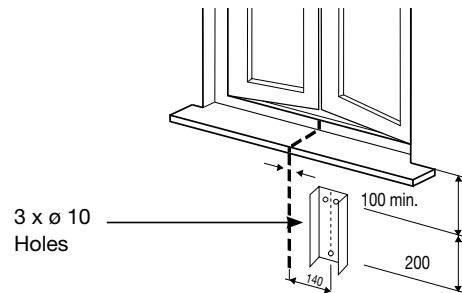
- A** The outdoor unit may be placed on a balcony. Make sure to put it in vertical position and levelled. During the installation do not kink the connection tube between the units. Verify the correct air circulation around the outdoor unit.



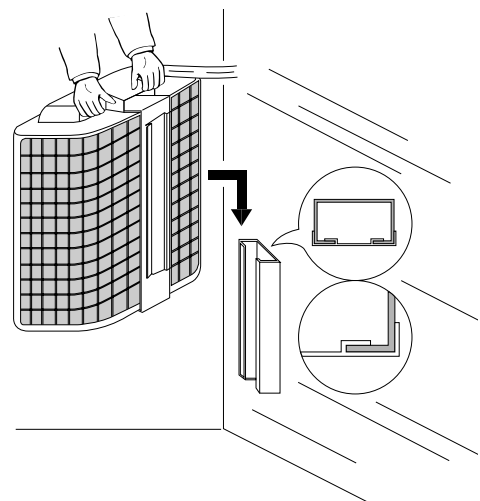
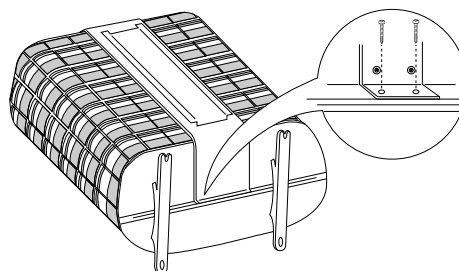
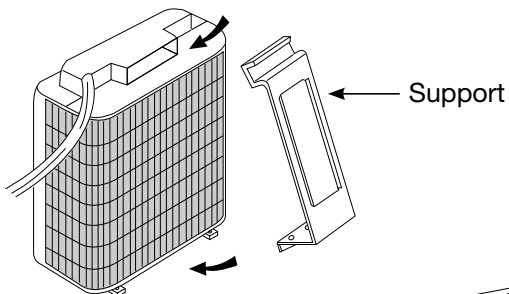
- B** Or fixed to the window sill.



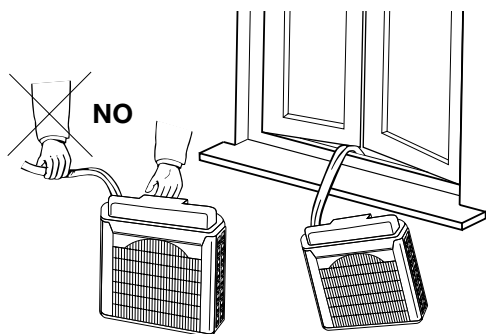
- C** Or hanged to the wall below the window sill using the support bracket kit (not supplied). After placing the unit in the support, check that it is levelled.



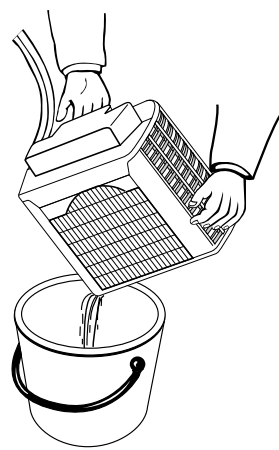
- D** Insert the support in the handle of the outdoor unit, turn the outdoor unit upside down (see the picture). Place the support and secure it at the edge of the unit. Insert the support guide fixed on the unit at the wall. Make sure it is levelled.



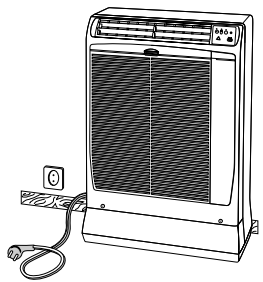
EN **E** Do not handle the outdoor unit improperly.



F When recovering the outdoor unit after operation drain away any remaining condensate by tilting the unit.



G Place the indoor unit against the wall next to an electric socket.



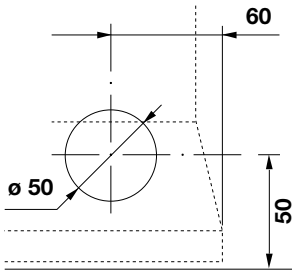
8 - WALL INSTALLATION (THROUGH A HOLE IN THE WALL)

EN

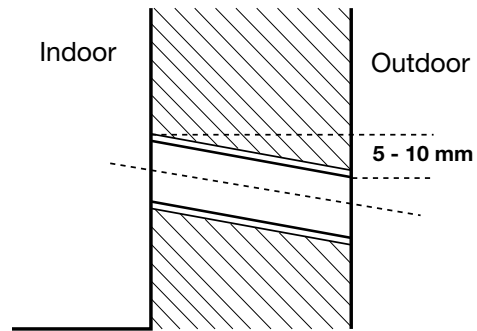
IMPORTANT OPERATION TO BE EXECUTED BY COMPETENT OR QUALIFIED PERSONEL

1. Before disassembling the outdoor unit (disjoin the rapid couplings): connect the air conditioner to a socket and let the compressor work for 5 minutes. During the disassembling operation, beat lightly with a spanner on the rapid coupling brass body (exagonal part).
2. Lubricate the joint surfaces (rapid coupling) with a little bit of HAB oil only (synthetic oil Alkylbenzene type ex. EXXON ZERICE S).
3. When you disjoin the outdoor unit, follow the described succession: first, disconnect the power supply of the air conditioner (disconnect the plug), disconnect the electric connector, then the pipes of the frigorific connection.

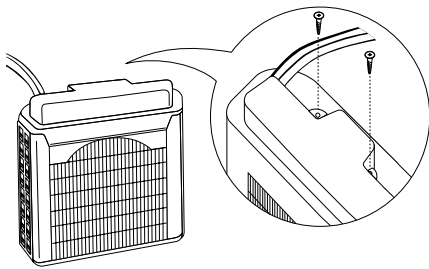
- A** Choose the best position where to install indoor unit. Mark the hole to be made in the wall.



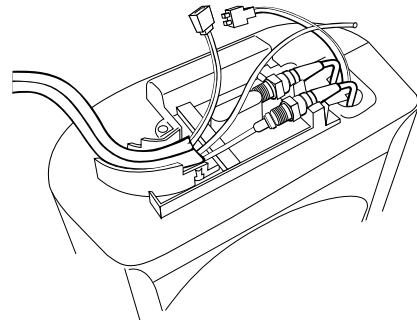
- B** Drill a 50 mm diameter hole, insert a PVC pipe.



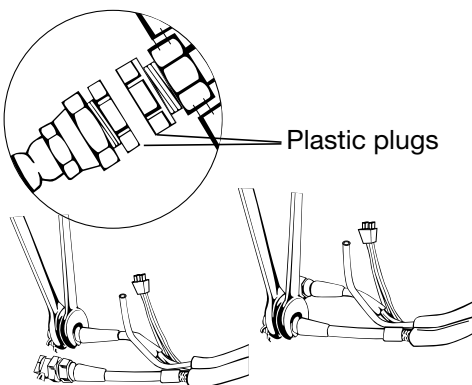
- C** Remove the coupling cover of the outdoor unit.



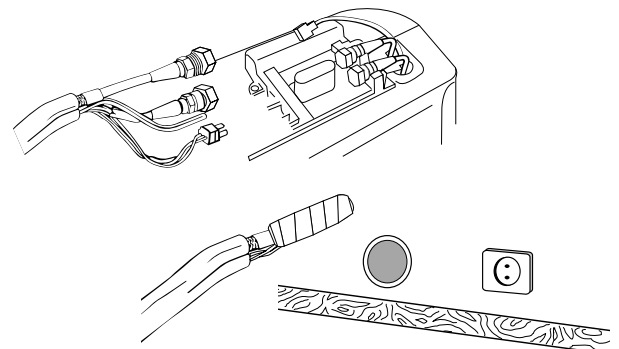
- D** Disconnect the condensate plastic tube and the electric connector.



- E** Loosen the quick coupling using the 19-21 mm spanners first and then the 19-24 mm spanners. Unscrew the flare nuts by hand and disconnect the flexible tube.



- F** Protect quick coupling (on flexible tube and outdoor unit) with plastic plugs supplied as accessories. To insert the tubing into the hole in the wall easily and without damages, join the pipe ends and wrap them with adhesive tape.



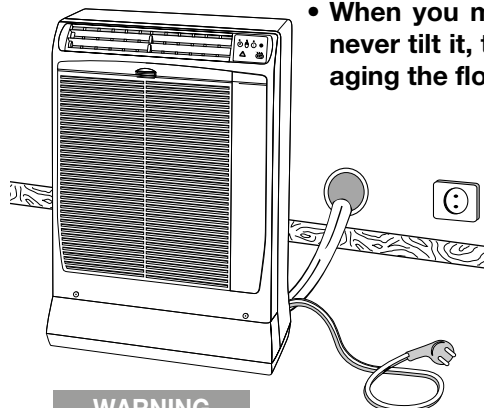
NOTE: When disconnecting or reconnecting the flexible tubes, always use two proper wrenches: one to hold the fixed part and one to screw/unscrew.

WARNING: Do not lift the tubes when operating on the couplings as it may damage the tubes and lead to refrigerant leakage.

- G** Insert the flexible tube into the hole drilled in the wall. Place the unit against the wall, if necessary, adjust the four antivibration supports **in order to keep the unit levelled**.

NOTES:

- The four antivibration supports are rubber made and they could mark the floor; in this case the application of proper material under the support is recommended or use the supplied felt pads.

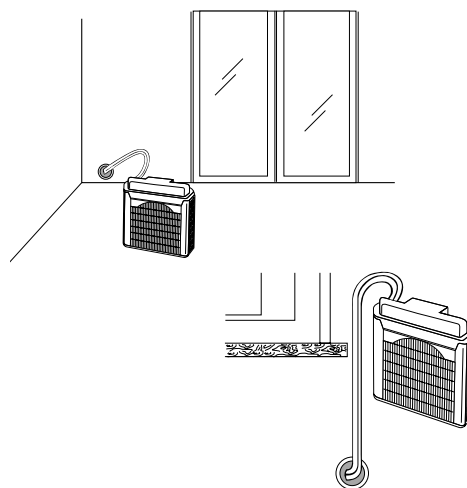


- When you move the unit, never tilt it, to avoid damaging the floor.

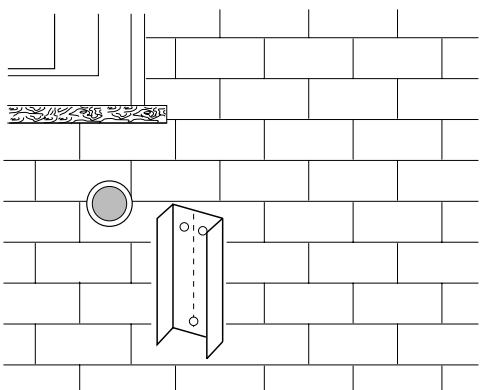
WARNING

When you assemble the outside unit, follow the described succession: first, connect the pipes for frigorific connection, then the electric connector.

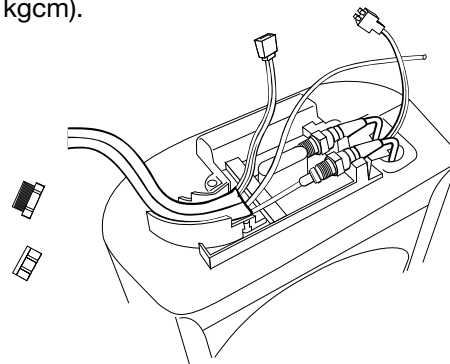
- H** The unit can be placed on a balcony or hung to the wall using the support bracket kit (not supplied).



- I** Drill the holes and fix the support to the wall using the rawl plugs.

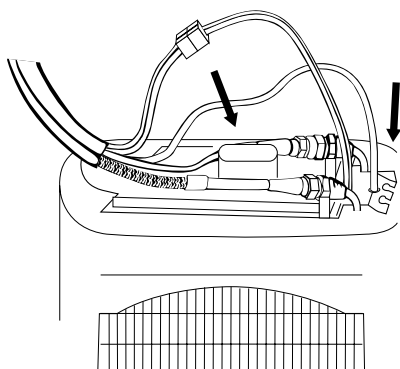


- L** Remove the plastic plugs from quick couplings, connect the couplings by hand, then tighten using the torque wrenches (tightening torque 150 ÷ 165 kgcm).

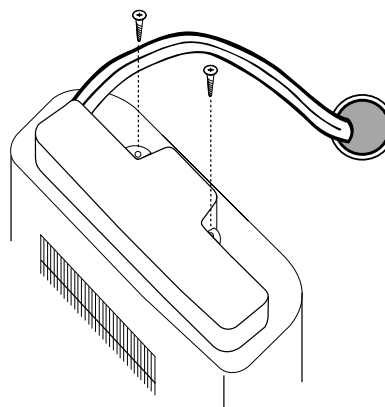


WARNING: Do not lift the tubes when operating on the couplings as it may damage the tubes and lead to refrigerant leakage.

- M** Connect the condensate plastic tube and the electric connector.

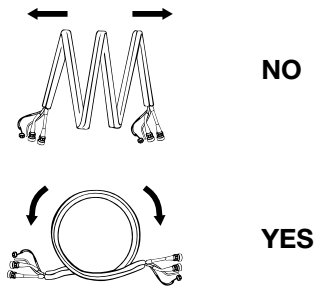


- N** Fix the coupling cover of the outdoor unit and seal the hole in the wall around the flexible tube.

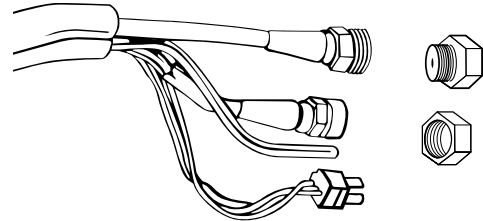


IMPORTANT OPERATION TO BE EXECUTED BY COMPETENT OR QUALIFIED PERSONEL

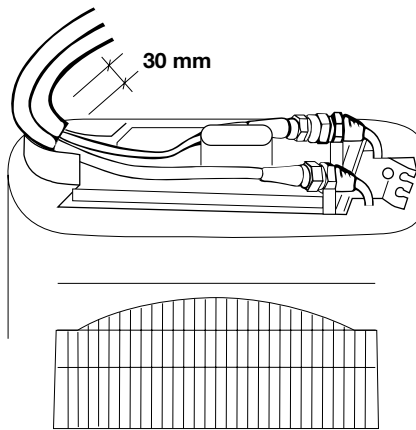
A Carefully unroll the extension tube; be careful not to twist nor kink it.



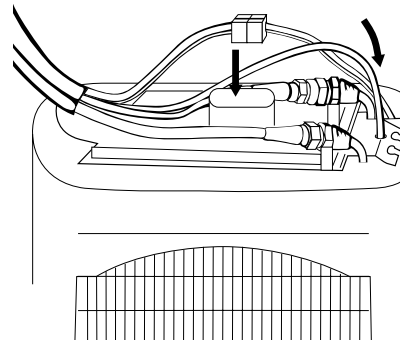
B Remove the plastic plug from extension tube ends (preformed tubes side).



C Fit the copper tubes on the support bent side. Connect the couplings by hand, adjust carefully the tubes on unit top, then tighten using the torque wrenches (tightening torque $150 \div 165$ kgcm).



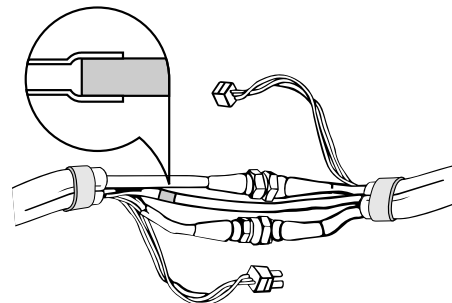
D Connect the condensate plastic tube and the electric connector.



NOTE: When disconnecting or reconnecting the flexible tubes, always use two proper wrenches: one to hold the fixed part and one to screw/unscrew.

WARNING: Do not lift the tubes when operating on the couplings as it may damage the tubes and lead to refrigerant leakage.

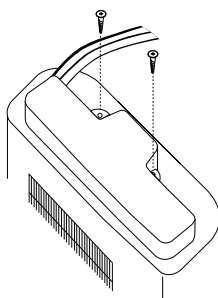
F Remove the plastic plugs from opposite end of flexible tube and connect quick couplings, first by hand and then using the spanners. Cut the PVC tube (soft kind) in excess then insert it into the stiff one.



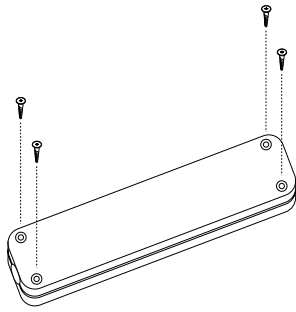
NOTE: When disconnecting or reconnecting the flexible tubes, always use two proper wrenches: one to hold the fixed part and one to screw/unscrew.

WARNING: Do not lift the tubes when operating on the couplings as it may damage the tubes and lead to refrigerant leakage.

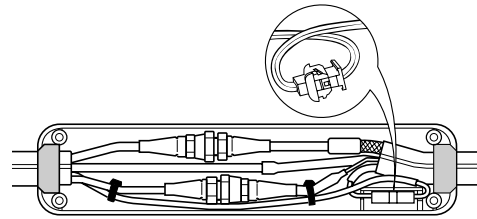
E Fix the coupling cover of the outdoor unit.



- G** Open the quick coupling box.



- H** Adjust the couplings in the box, connect the electric cable connector then turn it by 180°. Place the electric cable and fix it to the pipe with the smallest diameter through hose clamps. Fix the gaskets on the connections box ends.



10 - REMOTE CONTROL UNIT INSTALLATION

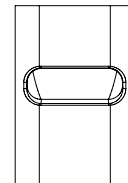
To ensure that the air conditioner operates correctly, DO NOT install the remote control unit in the following places:

- In direct sunlight.
- Behind a curtain or other places where it is covered.
- More than 8 m. away from the air conditioner.
- In the path of the air conditioner airstream.
- Where it may become extremely hot or cold.
- Where it may be subject to electrical or magnetic noise.
- Where there is an obstacle between the remote control unit and air conditioner.

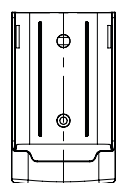
WALL-MOUNTED POSITION

- Momentarily place the remote control unit in the desired mounting position.
- Verify that the remote control unit can operate from this position.
- Fix the support at the wall with two screws and hang the remote control unit.

**TABLE
STAND**



**WALL
SUPPORT**



11 - MAINTENANCE OF THE REFRIGERANT CIRCUIT

NOTES

IMPORTANT FOR MAINTENANCE

- Make sure there is no heat source or potential heat source in the maintenance area. The open flames are forbidden in the maintenance area and the "no smoking" sign must be hanged.
- Verify that the warning sign is in good condition, otherwise replace it.

Refrigerant recovery in case of maintenance or removal of the unit

- If it is necessary to cut and weld the refrigeration circuit pipes during maintenance operations or to empty the refrigerant circuit in the event of removal of the unit, carry out the following operations:
 1. Turn off the unit and disconnect the power supply.
 2. Recover the gas.
 3. Make a vacuum with the vacuum pump.
 4. Clean the pipes with N2 gas.
 5. Cut and weld or bring the unit to the Service Center for welding.
 6. Make a leak detection check.
- The refrigerant must be recovered in the appropriate storage tank for R32 gas.
- Ensure that there is no naked flame near the vacuum pump outlet and that the area is well ventilated.

Charge of the refrigeration circuit

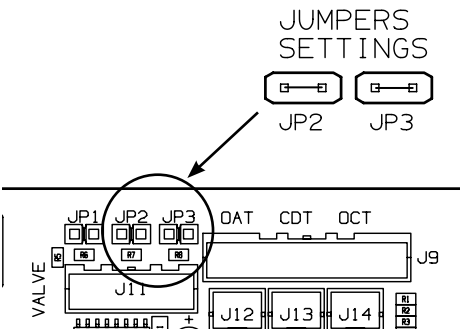
- Refrigerant charge apparatus, vacuum pump, hoses and adapters must be exclusively used for R32. Make sure that different types of refrigerant do not contaminate each other.
- It is suggested to charge the refrigerant in LIQUID state. Make sure that the refrigerant is the one required.
- Do not add any OIL to the compressor because precharged oil is specially selected for R410A.
- The refrigerant tank should be kept upright during filling of the refrigerant circuit.
- Stick the label on the system after you finish the refrigerant charge.
- Do not overfill.
- After completing the charge, check for leaks before doing the test run.

12 - MATCH BETWEEN REMOTE CONTROLLER AND THE UNIT

The remote control can be addressed to use up to 4 different units installed in the same room.

You can get unified control by using a single remote control for all units or each remote control can be addressed to its own unit, in order to control separately temperature, timer and all other functions.

EN



PCB SETTING

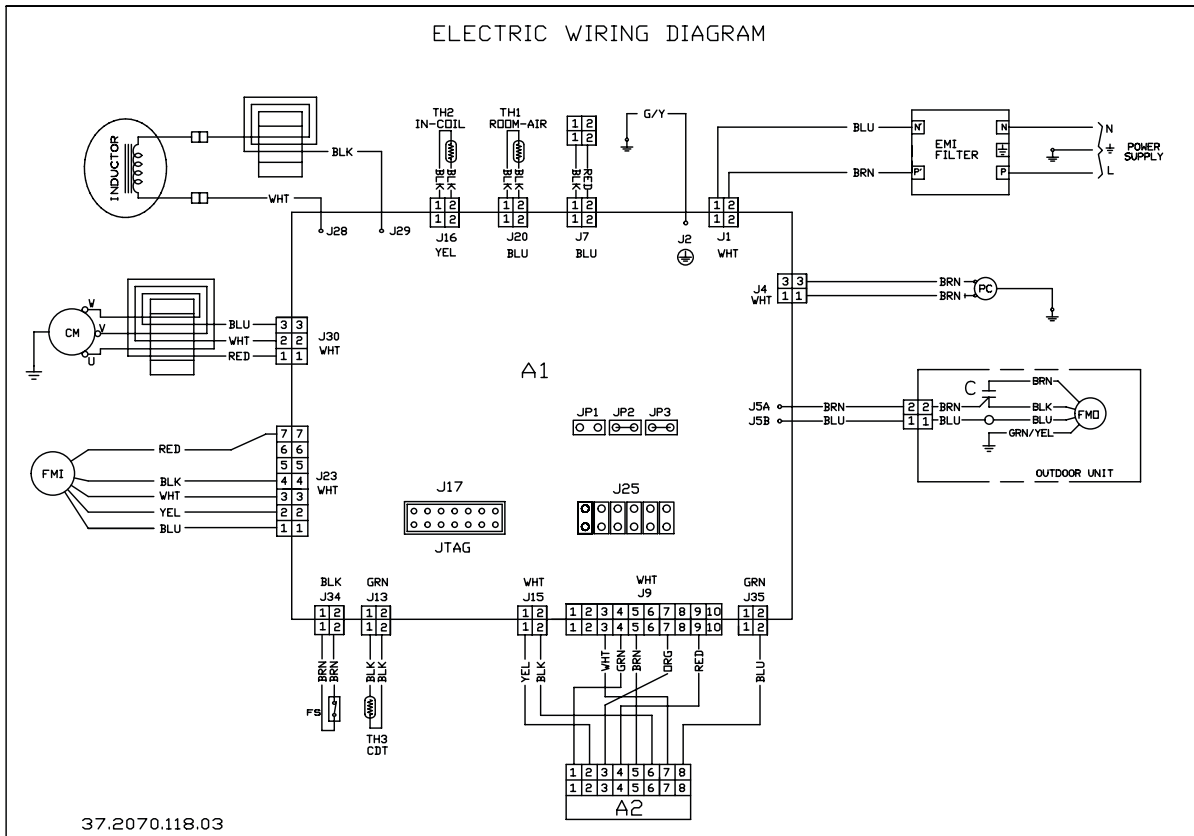
- Disconnect the unit power supply and wait at least 60 seconds, making sure that all the lamps go off.
- Remove the rear panel and the cover of the electrical box to access the pcb.
- Set JP2 and JP3 as shown in the table.
- Close the cover of the electrical box and the rear panel.
- Reconnect the unit power supply.

REMOTE CONTROLLER SETTING

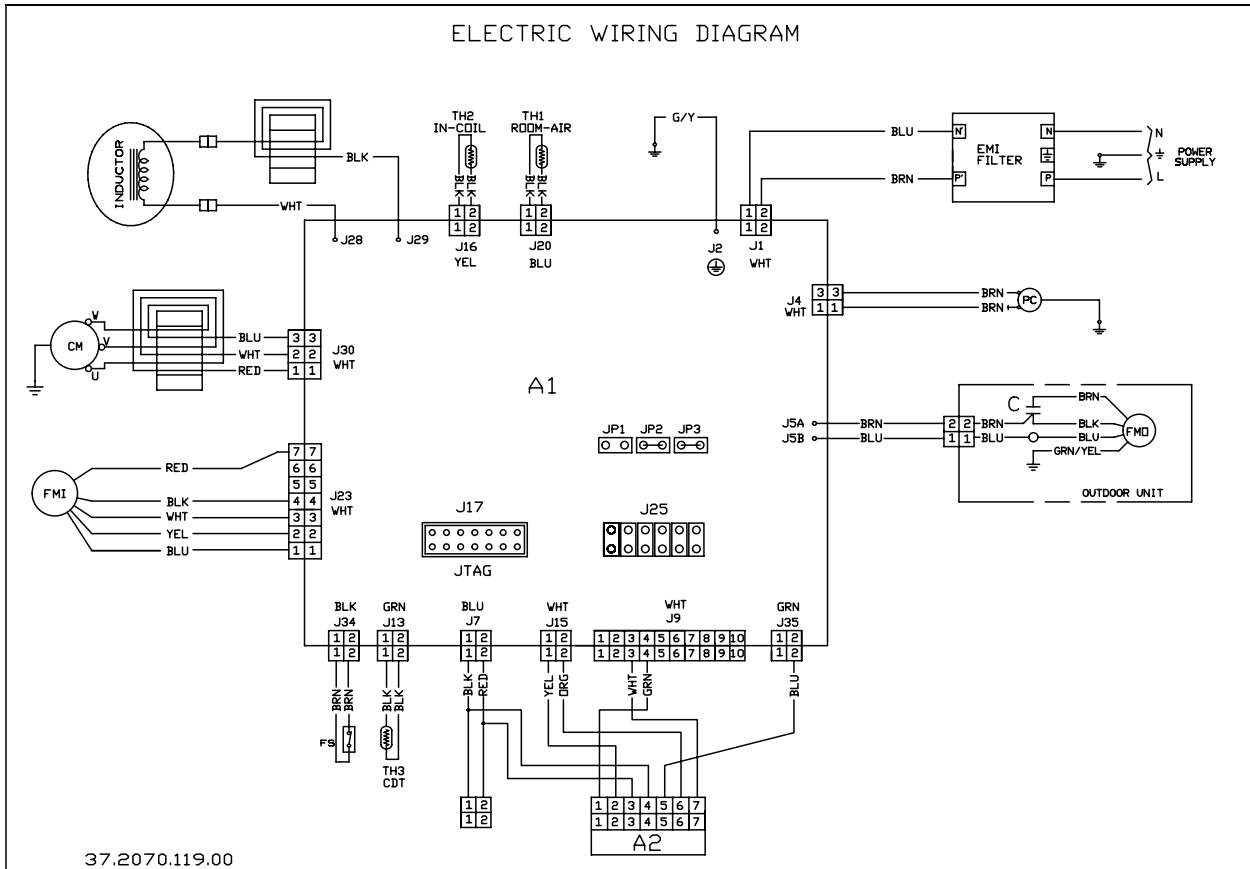
- Press the button MODE_{SET} for a few seconds.
- Press the arrow \wedge until you visualize 06.
- Press the button MODE_{SET} again for a few seconds: the number 0 (factory setting) at the bottom starts flashing.
- Press the arrow \wedge to set 1, 2 or 3.
- Confirm with the button MODE_{SET} .
- Press (\downarrow) to exit the menu.

| UNIT | REMOTE CONTROL UNIT | PCB |
|--------------------|---------------------|-------------------------|
| 0 FACTORY STATE | | JP2=CLOSE JP3=CLOSE |
| 1 | | JP2=OPEN JP3=CLOSE |
| 2 | | JP2=CLOSE JP3=OPEN |
| 3 | | JP2=OPEN JP3=APERTO |

13 - ELECTRICAL WIRING DIAGRAMS - SCHEMI ELETTRICI - SCHÉMAS ÉLECTRIQUES - ELEKTRISCHE ANSCHLUSSPLÄNE - ESQUEMAS ELÉCTRICOS - DIAGRAMAS ELÉTRICOS



WiFi MODELS



**Electrical wiring diagrams' symbols / Simboli schemi elettrici / Symboles des schemas électriques
 Legende: Anschlusspläne / Símbolos de los esquemas eléctricos / Símbolos de diagramas eléctricos**

| SYMBOL | EG | I | F | D | E | P |
|------------|---------------------|------------------------|-----------------------------------|----------------------------|----------------------------------------|-----------------------------------|
| PC | CONDENSATE PUMP | POMPA SCARICO CONDENSA | POMPE D'EVACUATION DES CONDENSATS | KONDENSWASSERAUSLASS-PUMPE | BOMBA DE DESCARGA DEL LIQUIDO DE COND. | BOMBA DE DRENAJEM DE CONDENSADO |
| CM | COMPRESSOR MOTOR | MOTORE COMPRESSORE | MOTEUR DE COMPRESSEUR | KOMPRESSORMOTOR | MOTOR DEL COMPRESOR | MOTOR DO COMPRESSOR |
| C1, 2, 3 | CAPACITOR | CONDENSATORE | CONDENSATEUR | KONDENSATOR | CONDENSADOR | CAPACITOR |
| IND. U. | INDOOR UNIT | UNITA' INTERNA | UNITÉ INTÉRIEURE | INNENEINHEITEN | UNIDAD INTERIOR | UNIDADE INTERNA |
| OUTD. U. | OUTDOOR UNIT | UNITA' ESTERNA | UNITÉ EXTÉRIEURE | AUBENEINHEITEN | UNIDAD EXTERIOR | UNIDADE EXTERNA |
| FMO | OUTDOOR FAN MOTOR | MOTORE ESTERNO VENTOLA | MOTEUR DE VENTILATEUR EXTÉRIEUR | AUSSENLÜFTERMOTOR | MOTOR VENTILADOR EXTERNO | MOTOR VENTILADOR EXTERNO |
| FMI | INDOOR FAN MOTOR | MOTORE INTERNO VENTOLA | MOTEUR DE VENTILATEUR INTÉRIEUR | INNENLÜFTERMOTOR | MOTOR VENTILADOR INTERNO | MOTOR VENTILADOR INTERNO |
| IND. ASSY | INDICATOR ASSY | GRUPPO INDICATORI | ENSEMBLE INDICATEUR | ANZEIGE-BAUGRUPPE | GRUPPO DE INDICADORES | GRUPO INDICADORES |
| A1 | CONTROLLER | SCHEDA ELETRONICA | CONTRÔLEUR | STEUERGERÄT | CONTROLADOR | PLACA ELETRÓNICA |
| FS | SAFETY FLOAT SWITCH | INT. SICUREZZA A GALL | INTERR. DE SECURITE A FLOTTEUR | SCHWEMM-SCHUTZSCHALTER | INTERR. DE SEGURIDAD DE FLOTADOR | INTERRUPTOR DE SEGURANÇA EM FLOAT |
| A2 | SWITCH ASSY | GRUPPO INTERRUPTORI | ENSEMBLE INTERRUPTEUR | SCHALTER-BAUGRUPPE | GRUPPO DE INTERRUPTORES | GRUPO INTERRUPTORES |
| TH1, 2 | THERMISTOR | TERMISTORE | THERMISTOR | THERMISTOR | TERMISTOR | TERMISTOR |
| INDUCTOR | INDUCTOR | INDUTTORE | INDUCTOR | INDUCTOR | INDUCTOR | INDUCTOR |
| EMI FILTER | EMI FILTER | FILTRO DI RETE | FILTRE DE RESEAU | NETZFILTER | FILTRO DE RED | FILTRO DE REDE |

**Wires color legend
 Legenda colori fili elettrici
 Légende des couleurs des fils électriques
 Beschriftung der Leitungs-Farben
 Leyenda de los colores de los cable eléctricos
 Legenda das cores dos fios elétricos**

| | EG | I | F | D | E | P |
|-----------|----------------|----------------|--------------|-------------|------------------|-----------------|
| BLK | BLACK | NERO | NOIR | SCHWARZ | NEGRO | PRETO |
| BLU | BLUE | BLU | BLEU | BLAU | AZUL | AZUL |
| BRN | BROWN | MARRONE | MARRON | BRAUN | MARRON | MARRON |
| GRN / YEL | GREEN / YELLOW | VERDE / GIALLO | VERT / JAUNE | GRÜN / GELB | VERDE / AMARILLO | VERDE / AMARELO |
| GRY | GREY | GRIGIO | GRIS | GRAU | GRIS | CINZA |
| ORG | ORANGE | ARANCIONE | ORANGE | ORANGE | ANARANJADO | LARANJA |
| PNK | PINK | ROSA | ROSE | ROSA | ROSA | ROSA |
| RED | RED | ROSSO | ROUGE | ROT | ROJO | VERMELHO |
| VLT | VIOLET | VIOLA | VIOLET | VIOLETT | VIOLETA | VIOLETA |
| WHT | WHITE | BIANCO | BLANC | WEISS | BLANCO | BRANCO |
| YEL | YELLOW | GIALLO | JAUNE | GELB | AMARILLO | AMARELO |

argoclima S.p.A.

Società a socio unico

Via Alfeno Varo, 35 - 25020 Alfianello - BS - Italy

Tel. +39 030 7285700

www.argoclima.com
