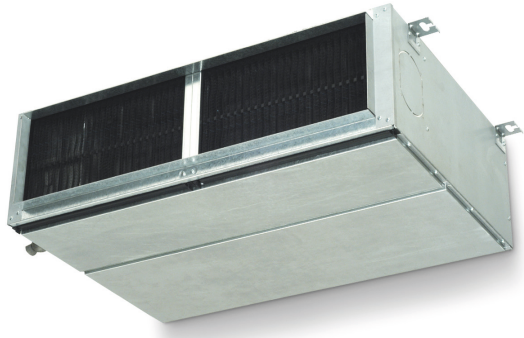


# AD DIRECT-EXPANSION INDOOR UNIT DUCTED



Code	Model	Size
387006196	ADIAS19DC	A
387006194	ADIBS13DC	B
387006195	ADICS13DC	C

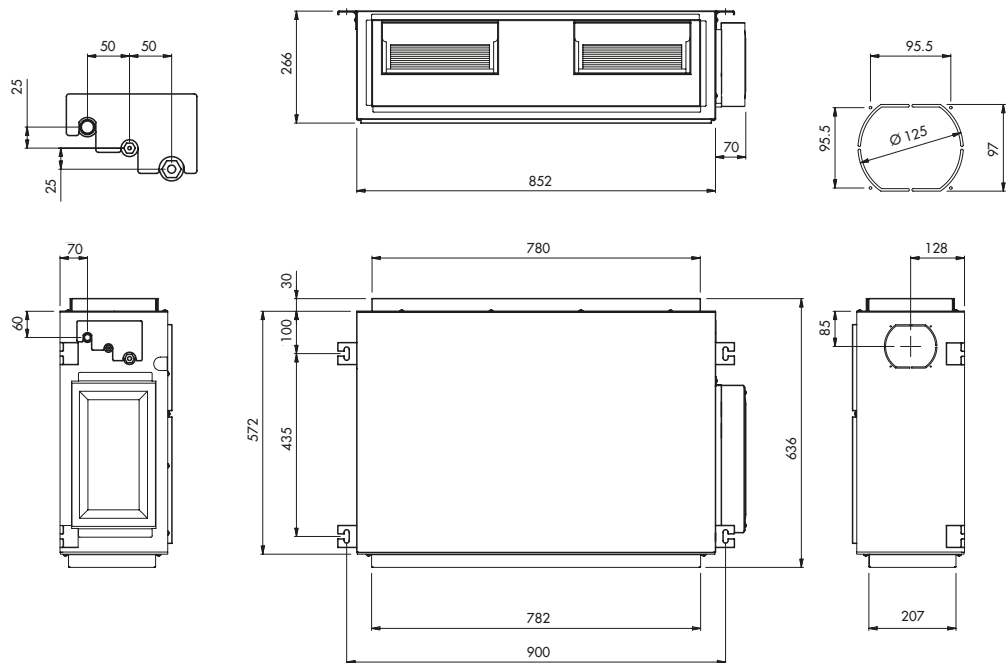
Medium prevalence ductable unit, to be combined with build-on-site plenums with or without the aid of the two-way (ADIA) and three-way (ADIB - ADIC) conveyor. It is built with great attention to material selection and assembly of components and it is suitable for mounting on false ceilings. This unit can also be connected to a fresh air inlet. A special function can be activated by removing a "jumper" from the circuit board to increase the static pressure. AD, even though it was designed to be built-in and therefore concealed, can be operated by remote control by installing a receiver.



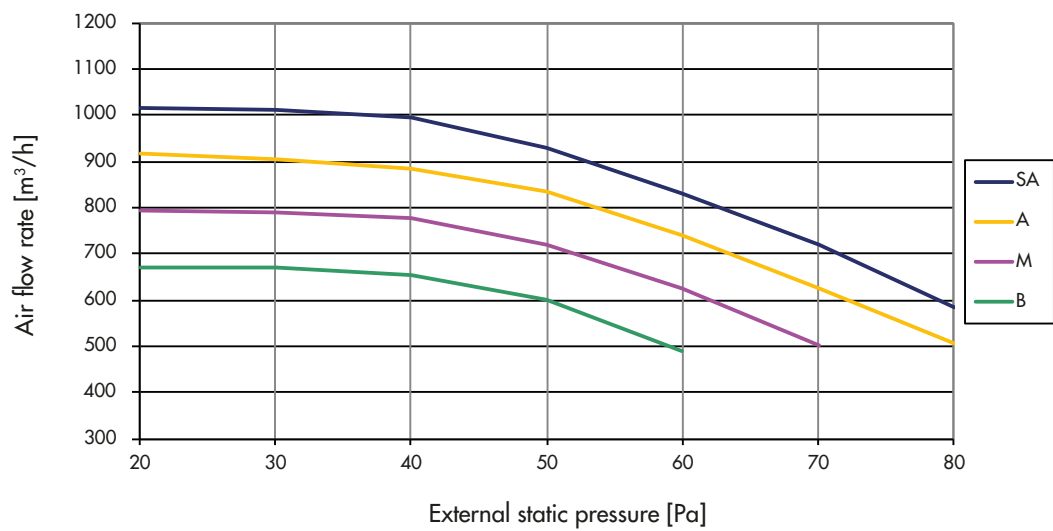
MODEL		ADIAS19DC	ADIBS13DC	ADICS13DC
Heating/Cooling capacity	kW	up to 4.2/4.4	up to 5.7/7.0	up to 9.0/11.0
Size		A	B	C
Air flow rate (l.-m.-h.-eh.)	m <sup>3</sup> /h	600-720-835-930	630-855-1010-1170	630-855-1010-1170
Dehumidification	l/h	0.8	2.3	2.5
Condensation pump static pressure	mm.c.a	250	250	250
Fan speed	n°	3 + auto - by remote control	3 + auto - by remote control	3 + auto - by remote control
Standard static pressure/JP2 contact	Pa	50/60	50/70	50/70
Sound pressure at 2 m (l.-m.-h.-eh.)	dB(A)	35-40-43-45	32-35-42-47	35-40-46-49
Sound power (l.-m.-h.-eh.)	dB(A)	44-49-53-54	41-44-51-56	44-49-55-58
Electric power supply	V/Ph/Hz	230/1/50-60	230/1/50-60	230/1/50-60
Type of motor		DC Inverter	DC Inverter	DC Inverter
Electric power input	W	56	76	118
Liquid pipe diameter	mm (inch)	6.35 (1/4")	6.35 (1/4")	6.35 (1/4")
Gas pipe diameter	mm (inch)	9.52 (3/8")	12.7 (1/2")	12.7 (1/2")
Diameter of the plenum ducted	mm	200	200	200
Net dimension (H./W./D.)	mm	266/852/572	266/1060/572	266/1060/572
Net dimension with plenum (H./W./D.)	mm	266/852/772	266/1060/772	266/1060/772
Net weight	kg	30	35	35
Remote control with receiver		Yes	Yes	Yes
Room temperature adjustment range	°C	from +10 to +32	from +10 to +32	from +10 to +32
Relative humidity sensor		Yes	Yes	Yes

# AD DIRECT-EXPANSION INDOOR UNIT DUCTED MODEL

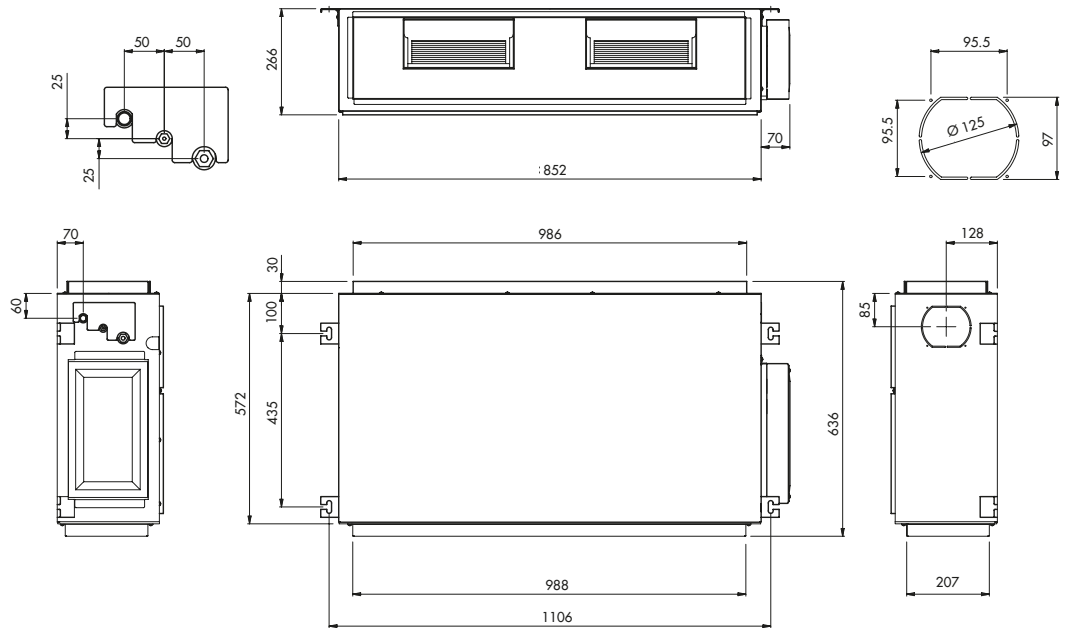
ADIAS19DC unit



## STATIC PRESSURE/AIR FLOW RATE DIAGRAM - ADIAS19DC UNIT



ADIBS13DC unit  
ADICS13DC unit



STATIC PRESSURE/AIR FLOW RATE DIAGRAM - ADIBS13DC - ADICS13DC UNITS

