



CE

EN

ALAN

ELECTRIC CARBON FIBER HEATER



This product is only suitable for well insulated spaces or occasional use.

OPERATING INSTRUCTIONS

Read the instructions carefully before operating the panel or carrying out maintenance operations. Observe all the safety instructions; failure to observe the instructions may lead to accidents and/or damages. Store these instructions.

GENERAL SAFETY INFORMATION

- Use this carbon fiber heater only as outlined in this manual. Any other use not recommended by the manufacturer may cause fire, electric shock or injury to people.
- Ensure that the mains power complies with the voltage specified on the carbon fiber heater data plate (220-240V/50-60 Hz).
- This appliance can be used by children aged from 8 years and above and people with reduced physical, sensory or mental capabilities or lack of experience and knowledge if they have been given supervision or instruction concerning use of the appliance in a safe way and understand the hazards involved.
- Children shall not play with the appliance.
- Cleaning and user maintenance shall not be made by children without supervision.
- This product is not a toy.
- Children under the age of 3 must be kept away if not continuously supervised.
- Children aged between 3 and 8 must only turn the appliance on/off as long as it has been placed or installed in its normal operating position and that they receive surveillance or instructions regarding the safe use of the appliance and understand the dangers.
- Children between 3 and 8 years of age must not insert the plug, adjust or clean the appliance or carry out maintenance by the user.
- **CAUTION: Some parts of this product can become very hot and cause burns. Particular attention has to be given where children and vulnerable people are present.**
- **WARNING:** In order to avoid hazard due to inadvertent resetting of the thermal cut-out, this appliance must not be supplied through and external switching device, such as a timer, or connected to a circuit that is regularly switched on and off by the utility.
- **WARNING: do not use the fan heater with a controller or any other external device that activates the appliance automatically, as there may be a risk of fire if the fan heater is covered or incorrectly positioned. Do not restrict the air inlet and outlet grilles.**
- The appliance heats up slightly when in use. In order to avoid burns,

do not let bare skin touch hot surfaces.

- Ensure that all objects are at least 1 meter from the front and sides of the appliance.
- Disconnect the mains power when the appliance is not used or for cleaning operations.
- Avoid using the carbon fiber heater in dusty environments or in the presence of inflammable vapors (e.g. in workshops or garages) or paint vapors.
- Do not place anything on the appliance, use the appliance to dry clothing.
- Use the appliance in a well-ventilated area.
- Avoid placing fingers or foreign objects in the air inlet/outlet grilles, as this may lead to electric shock or fire and may damage the appliance.
- To avoid the risk of fire, do not block the grilles or tamper with them in any way while the carbon fiber heater operates.
- **Do not use the appliance if the cord or plug are damaged.** If the power cable is damaged, it must be replaced by the manufacturer or its technical assistance service or in any case by a person with a similar qualification, in order to prevent any risk.
- If the power supply cord is damaged, it must be replaced by the manufacturer, dealer or a similarly qualified person so as to avoid any safety risks.
- Do not operate the appliance if it has fallen from a height or has suffered damage in any way. Contact qualified technical personnel to examine the appliance or perform any electrical or mechanical repairs.
- The most common cause of overheating is the build-up of dust in the appliance. Remove dust deposits by unplugging the appliance and cleaning the air outlets and grilles with the aid of a vacuum cleaner.
- Do not use abrasive detergents for cleaning this appliance. Clean the appliance with the aid of a damp (not wet) cloth rinsed in hot soapy water. Always remove the plug from the mains socket before cleaning.
- To disconnect the carbon fiber heater, push the switch to OFF and remove the plug from the socket. Pull on the plug only. Avoid pulling on the cord when disconnecting the carbon fiber heater.
- Do not place any objects on the cord and do not bend it.
- It is not advisable to use extension cords, as these may overheat and

cause the risk of fire. Do not use a single extension cord to operate multiple appliances.

- Do not immerse the cord, plug or any other element of the appliance in water or other liquids.
- Do not touch the plug with wet hands.
- Do not place the carbon fiber heater above or near another heat source.

WARNING: AVOID COVERING THE CARBON FIBER HEATER TO PREVENT IT FROM OVERHEATING.

The symbol below signals the above warning:

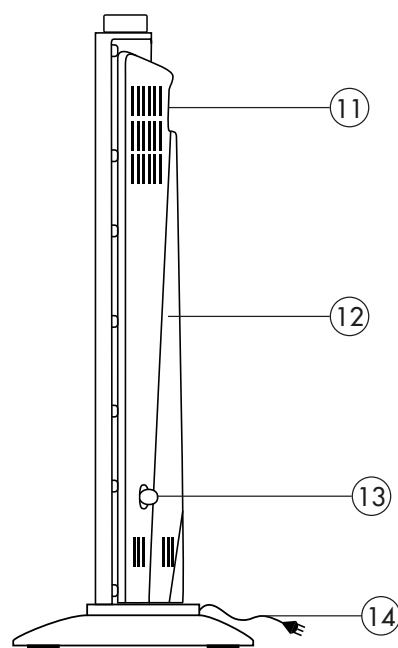
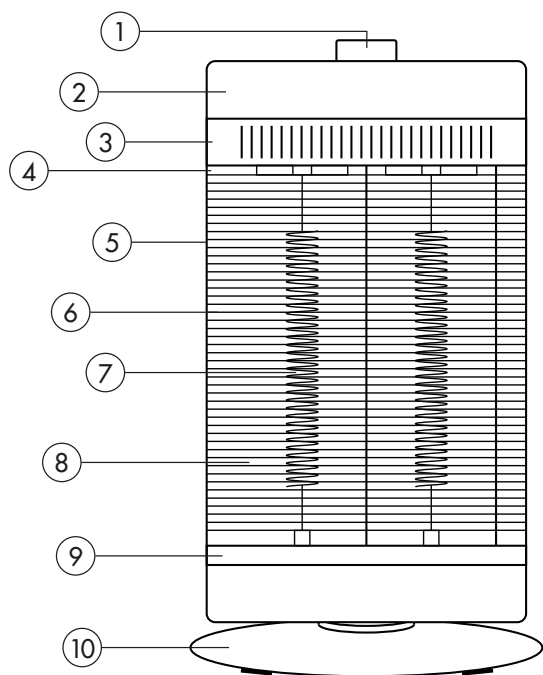


- The carbon fiber heater may cause the risk of fire if, while in operation, is covered by or comes into contact with **flammable** material including curtains, drapery, blankets, etc. **KEEP THE CARBON FIBER HEATER AWAY FROM THESE MATERIALS.**
 - Do not connect the appliance to the mains power before it has been properly assembled and positioned.
 - Do not run the cord under carpets. Do not cover the cord with blankets, carpets or similar materials. Place the cord far away from busy areas or where it cannot be accidentally pulled-out.
 - Do not operate the carbon fiber heater in close proximity to bathtubs, showers, washbasins or pools.
 - Do use the appliance in the bathroom.
 - The heating appliance must not be positioned immediately below a power outlet.
 - Do not operate the appliance outdoors.
 - Upon initial start-up, the carbon fiber heater may emit a slight, harmless smell. This smell is a normal effect of the initial heating up of the internal heating elements, and should not recur later on.
- WARNING: DO NOT DEPEND ON THE ON/OFF BUTTON SWITCH AS THE SOLE MEANS OF DISCONNECTING POWER. WHEN SERVICING OR MOVING THE CARBON FIBER HEATER, ALWAYS UNPLUG THE POWER CORD.**
- A carbon fiber heater has hot and arcing or sparking parts inside. It must not be used in potentially dangerous locations such as flammable, explosive, chemical-laden or wet atmosphere.
 - Do not place the carbon fiber heater on soft surfaces, like a bed, where

openings may become blocked. Always place the carbon fiber heater on a stable, flat, level surface when operating, to avoid the chance of the carbon fiber heater overturning. Locate the power cord so the carbon fiber heater or other objects are not resting on it.

- Always unplug the carbon fiber heater when not in use.
- In order to avoid accidents turn unit off if unattended.
- In the event of any problems (abnormal noise or a strange smell) switch off the appliance immediately, do not attempt to repair it and take it to your local after sales service.

DESCRIPTION OF PARTS



1. Knob
2. Front panel
3. Top fixing plate
4. Protective clip
5. Front cover

6. Protective grid
7. Resistances in carbon fibre
8. Reflector
9. Bottom fixing plate
10. Oscillating base

11. Integrated handle for the transport
12. Back cover
13. Cable reel
14. Power cord

HOW TO ASSEMBLE THE CARBON FIBER HEATER

1. Remove the stove body from the box and the plastic bag (Figure 1).
2. Remove the two screws below the stove (Figure 2).
3. Fix the base to the bottom of the stove (Figure 3). Pay attention to the direction of the base.
4. Fix the base and the stove together with the two screws (Figure 4).

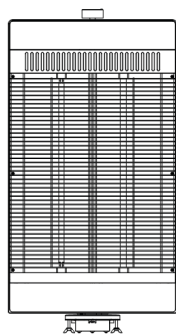


FIG. 1

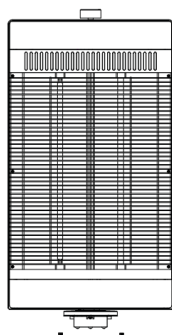


FIG. 2

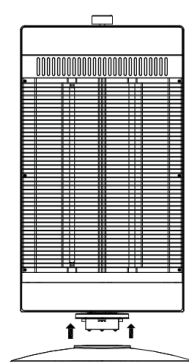


FIG. 3

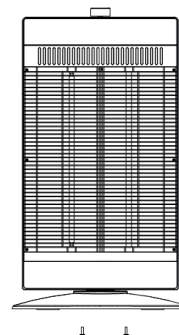
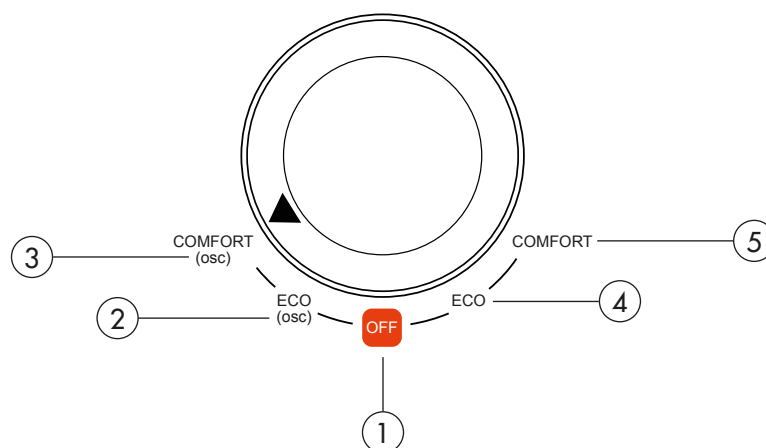


FIG. 4

CONTROL KNOB



1. **OFF**: when the knob turns to "OFF", the product stops working;
2. **ECO (500 W + osc)**: by turning the knob on the indicated mode the heater works in ECO mode with oscillation;
3. **COMFORT (1000 W + osc)**: by turning the knob on the indicated mode the heater works in COMFORT mode with oscillation;
4. **ECO (500 W)**: by turning the knob on the indicated mode the heater works in ECO mode
5. **COMFORT (1000 W)**: by turning the knob on the indicated mode the heater works in COMFORT mode

MAINTENANCE AND STORAGE

1. Before maintenance, remember to remove the plug from the power outlet. The plug should not be removed with wet hands.
2. Do not perform maintenance until the appliance has cooled down completely.
3. During maintenance do not moisten the appliance and do not spray water on it.
4. To clean the main body of the heater and reflector, use a soft cloth. If the surface to be cleaned is very dirty, moisten the cloth with warm water or a neutral/mild detergent before cleaning. At the end of this operation, use a soft, dry cloth to remove excess moisture.
5. Do not apply thinners, gasoline, alcohol, kerosene, benzene, abrasive powders, alkaline detergents, rigid brushes or the like on the paint or coating resins.
6. If dust or moisture is found at the junction between the plug and socket, due to prolonged use, remove and clean the plug with a dry cloth, then reinsert it.

Follow these steps to clean the reflector:

- Remove the screw on the protection clip and pull out the protection clip (Figure A).
- Push the protection from the bottom up, then gently pull out the protection (Figure B).
- Remove dust from the reflector and clean the tubular resistance with a damp cloth. Be careful not to damage the resistance during cleaning.
- Clean the reflector and tubular resistance once or twice with a dry cloth and make sure that there is no water on them.
- After cleaning, reinstall it in the opposite sequence to disassembly and make sure the screws are securely fastened.

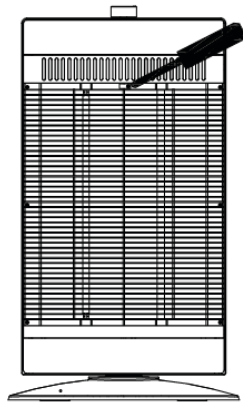


FIG. A

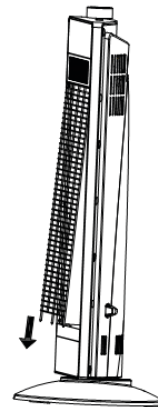


FIG. B

**ALWAYS UNPLUG THE APPLIANCE BEFORE CLEANING OR MAINTENANCE.
IMPORTANT: DO NOT SUBMERGE THE HEATER IN WATER.**

Cleaning the outside surface of the appliance

Turn the switch off and unplug the appliance before carrying out any maintenance work or moving it. Use a soft cloth to remove any dust from the heater. If the heater is excessively dirty, use a soft cloth moistened with water and a mild detergent at a temperature lower than 50 °C. Let the heater dry completely before use. Do not use corrosive detergents or solvents such as petrol. Do not wash the appliance with water. Do not use oils, chemical substances or other items to clean that may damage the surface. Use a vacuum cleaner to remove dust from the air inlet/outlet grilles.

STORAGE

If the appliance is not used for prolonged periods, it must be stored together with this manual in its original packaging, in a cool and dry place

MANDATORY INFORMATION FOR ELECTRIC LOCAL SPACE HEATERS.

Table 2 - Annex II - Ecodesign requirements - Mandatory product information - REGULATION (EU) 2015/1188 OF THE COMMISSION of 28 April 2015 laying down detailed rules for the application of Directive 2009/125/EC of the European Parliament and of the Council on the ecodesign requirements for local space heaters.

Model identifier(s): ALAN						
Item	Symbol	Value	Unit	Item	Unit	
Heat output				Type of heat input, for electric storage local space Heaters only (select one)		
Nominal heat output	P _{nom}	1,0	kW	Manual heat charge control, with integrated Thermostat	[no]	
Minimum heat output (indicative)	P _{min}	0,5	kW	Manual heat charge control with room And/or outdoor temperature feedback	[no]	
Maximum continuous heat output	P _{max,c}	1,0	kW	Electronic heat charge control with room And/or outdoor temperature feedback	[no]	
Auxiliary electricity consumption				Fan assisted heat output	[no]	
At nominal heat output	e _{lmax}	N/A	kW	Type of heat output/room temperature control (select one)		
At minimum heat output	e _{lmin}	N/A	kW	Single stage heat output and no room Temperature control	[no]	
In standby mode	e _{lsb}	N/A	kW	Two or more manual stages, no room Temperature control	[yes]	
				With mechanic thermostat room Temperature control	[no]	
				With electronic room temperature control	[no]	
				Electronic room temperature control plus Day timer	[no]	
				Electronic room temperature control plus Week timer	[no]	
				Other control options (multiple selections possible)		
				Room temperature control, with presence Detection	[no]	
				Room temperature control, with open Window detection	[no]	
				With distance control option	[no]	
				With adaptive start control	[no]	
				With working time limitation	[no]	
				With black bulb sensor	[no]	
Seasonal energy efficiency of space heating					ηs(%)	32
Contact details:		ARGOCLIMA SPA - Via A. Varo,35 - Alfianello (BS) - ITALY - www.argoclima.com				



INFORMATION FOR CORRECT DISPOSAL OF THE PRODUCT IN ACCORDANCE WITH THE EUROPEAN DIRECTIVE 2012/19/EU

At the end of its working life this equipment must not be disposed of as an household waste. It must be taken to special local community waste collection centres or to a dealer providing this service. Disposing of electrical and electronic equipment separately avoids possible negative effects on the environment and human health deriving from an inappropriate disposal and enables its components to be recovered and recycled to obtain significant savings in energy and resources. In order to underline the duty to dispose of this equipment separately, the product is marked with a crossed-out dustbin.



improve your life

www.argoclima.com

Argoclima assumes no responsibility for any errors or inaccuracies in the content of this manual and reserves the right to make any changes to this manual at any time and without notice, deemed appropriate for any technical or commercial need.