



EN

DIGITAL CERAMIC FAN HEATER

BOBO



This product is only suitable for correctly-insulated environments or for occasional use.

OPERATING INSTRUCTIONS

Read the instructions carefully before operating the appliance or carrying out maintenance operations. Observe all the safety instructions; failure to observe the instructions may lead to accidents and/or damage. Keep these instructions in a safe place for future reference.

GENERAL SAFETY INFORMATION

- Use this fan heater only as outlined in this manual. Any other use not recommended by the manufacturer may cause fire, electric shock or injury to persons.
- Make sure that the type of mains power complies with the electrical requirements of the fan heater (220-240 V~/50-60 Hz).
- This appliance can be used by children of at least 8 years of age and by people with reduced physical, sensory or mental abilities, or who lack sufficient experience or the necessary knowledge, provided that they are supervised or have been instructed on how to use the appliance safely and understand the hazards related to its use.
- Children must not be allowed to play with the appliance.
- Cleaning and maintenance operations normally carried out by the user must not be performed by unsupervised children.
- This product is not a toy.
- Children under the age of 3 must be kept away if not continuously supervised.
- Children aged between 3 and 8 must only turn the appliance on / off as long as it has been placed or installed in its normal operating position and that they receive surveillance or instructions regarding the safe use of the appliance and understand the dangers.
- Children between 3 and 8 years of age must not insert the plug, adjust or clean the appliance or carry out maintenance by the user.
- **WARNING: Certain parts of this product may become very hot and cause burns. Special care should be taken when children and vulnerable people are nearby.**
- To avoid the risk of accidentally resetting the thermal protection, this appliance must not be powered through an external switching device, such as a timer, or connected to a circuit that is switched on and off by the utility.
- **WARNING: do not use the fan heater with a controller or any other device that activates the appliance automatically, as there may be a risk of fire if the fan heater is covered or incorrectly positioned.**
- Do not restrict the air inlet and outlet grilles.
- The appliance heats up significantly when running and can cause burns. Avoid unprotected contact with the hot surface.

- Keep flammable materials, such as furniture, cushions, blankets, paper, cloths, curtains and similar items at least 1 m away from the front, sides and back of the appliance.
- Disconnect the mains power when the appliance is not in use or during cleaning.
- Avoid using the fan heater in dusty environments or in the presence of flammable vapours (e.g. in workshops or garages).
- Do not place anything on the product; avoid placing wet garments on the fan heater.
- Use the heater in a well-ventilated area.
- Avoid placing fingers or foreign objects in the air inlet/outlet grilles, as this may lead to electric shock or fire and may damage the appliance.
- To avoid the risk of fire, do not block the grilles or tamper with them in any way while the fan heater is in use.
- **Do not use the appliance if the power cable or plug are damaged.** If the power cable is damaged, it must be replaced by the manufacturer or its technical assistance service or in any case by a person with a similar qualification, in order to prevent any risk.
- Do not use the fan heater if it has fallen from a certain height or if it has been damaged in any way. Contact a service centre to check the fan heater or make any necessary electrical or mechanical repairs.
- The most common cause of overheating is the build-up of dust in the appliance. Remove accumulated dust by removing the plug and cleaning the grilles using a vacuum cleaner.
- Do not use any abrasive products to clean the appliance. Clean it using a damp cloth (not wet) rinsed with soapy water. Remove the plug from the socket before performing any maintenance.
- To disconnect the fan heater, turn the switch to OFF and remove the plug from the socket. Pull on the plug only. Do not pull on the cable when turning off the fan heater.
- Do not place any objects on the cable and also avoid bending the cable.
- Using extension leads is not recommended as they may overheat and cause a fire hazard. Never use a single extension lead to operate multiple appliances.
- Do not immerse the power cable, plug or any other part of the appliance in water or other liquids.

- Do not touch the plug with wet hands.
- Do not place the fan heater above or near another heat source.

WARNING: AVOID COVERING THE FAN HEATER TO PREVENT IT FROM OVERHEATING.

The symbol below signals this warning:



- The fan heater may cause the risk of fire if, while operating, it is covered or comes into contact with **flammable** material including curtains, drapery, blankets, etc. **KEEP THE FAN HEATER AWAY FROM THESE MATERIALS.**
- Do not connect the fan heater to the power supply until it has been correctly assembled or positioned.
- Do not run the cable under carpets. Do not cover the cable with blankets, carpets or similar materials. Place the cable away from busy areas and where it cannot accidentally be pulled out.
- Do not operate the fan heater in close proximity to bathtubs, showers, washbasins or pools.
- Do not use the appliance in the bathroom.
- The heating appliance must not be positioned immediately below a power outlet.
- Do not operate the appliance outdoors.
- Upon initial start-up, the fan heater may emit a slight, harmless smell. This smell is a normal effect of the initial heating up of the internal heating elements, and should not recur subsequently.

WARNING:

THE ON/OFF SWITCH IS NOT THE ONLY METHOD OF DISCONNECTING THE MAINS POWER.

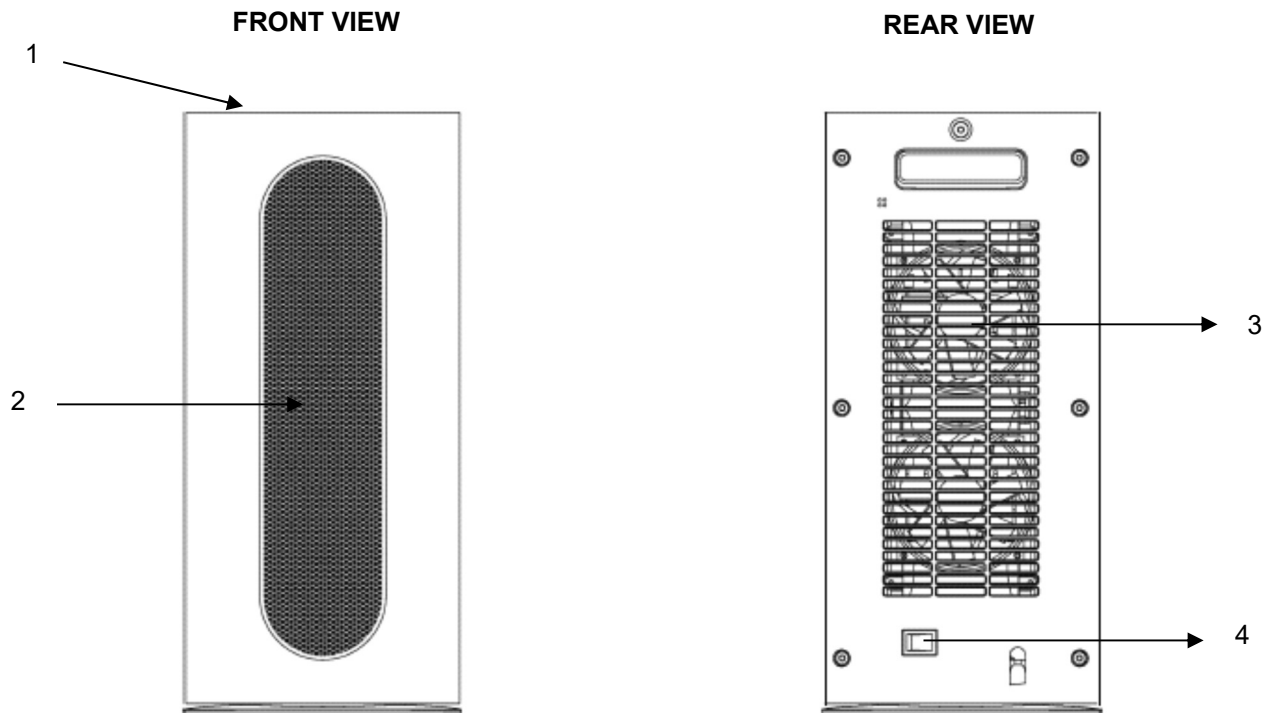
ALWAYS UNPLUG THE APPLIANCE DURING MAINTENANCE OPERATIONS, WHEN MOVING IT OR WHILE IT IS NOT IN USE.

- A fan heater contains parts that generate electrical arcs and sparks. It must not be used in potentially dangerous areas such as those subject to the risk of fire or explosion, or areas filled with chemical substances or humidity.
- Do not use the appliance on soft surfaces such as beds, where the grilles may get covered. Always rest the fan heater on a flat and stable surface when it is running, so as to prevent it from toppling

over. Arrange the cable so that neither the fan heater or other objects can be on top of it.

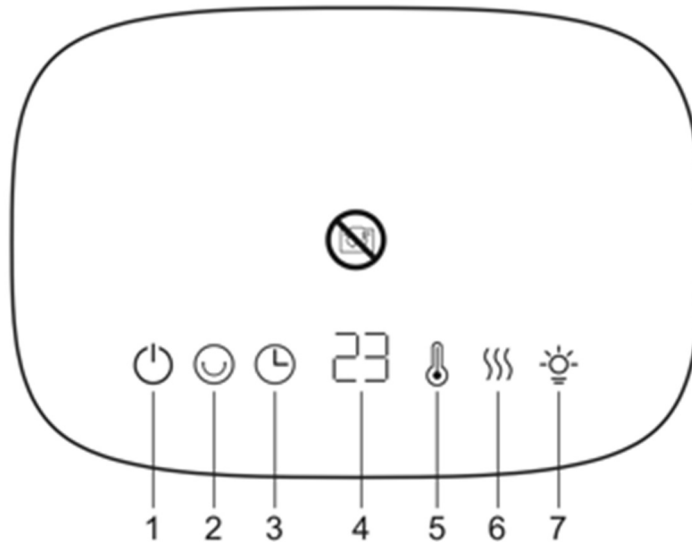
- Always unplug the appliance when it is not in use.
- Turn the appliance off if unattended, in order to prevent accidents.
- In the event of any anomalies (abnormal noise or a strange smell), immediately turn off the appliance; do not attempt to repair it but take it to your local service centre.

DESCRIPTION OF PARTS




1. Control panel and LED Display
2. Hot air outlet grille
3. Rear grille
4. ON/OFF button

CONTROL PANEL



Connect the power cord to an appropriate power outlet (220-240V ~ 50-60Hz). Press the power button located on the back of the fan heater, a beep will sound. The display will show –

Then press the Standby button  on the control panel or remote control to turn on the fan heater. Press the same button to turn off the device. It is advisable to unplug the power cord if the product is not in use.

1. Standby button

Press this button on the control panel or remote control to turn the fan heater on or off.

2. Swing button

Press this button on the control panel or on the remote control to activate the horizontal oscillation of the fan heater. To deactivate the swing function, press this button again.

3. Timer button

Press the Timer button on the control panel or remote control to select the operating interval in the following circular sequence 0h (disable Timer), 1h, 2h, 3h ... up to 9 hours. Each time the button is pressed, the adjustment interval will be 1 hour. When the Timer function is activated, the time remaining before shutdown appears on the display.

4. Display

5. Temperature setting button

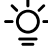
Touch on the button  to set the target temperature from 10°C→15°C→20°C→23°C→27°C→30°C in a continuous cycle.

6. Power setting button

Touch on the button  to set the working mode as below in a continuous cycle:

Mode	H0	H1	H2
Working status	Fan mode	Low heating 1350W	High heating 2000W

7. Brightness of screen button

The default brightness is 100% when switch on. Touch on the button  to change the brightness from 100%, 50%, 25%, and off display in a continuous cycle.

Note: If there are no operations in 1 minute when it is in 100% brightness, the brightness would turn to 50% automatically to save energy.

Anti-tip device

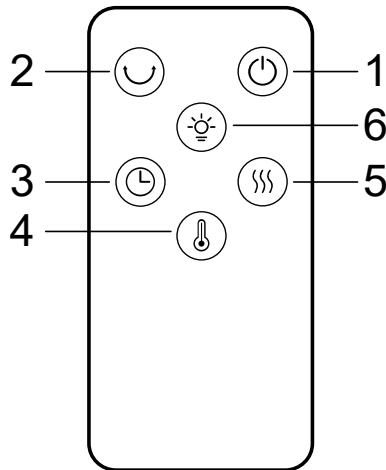
This appliance is equipped with an anti-overturning system, which automatically stops the operation of the fan heater in case of accidental overturning of the appliance. To reset it, disconnect the cable from the socket for a few minutes, place the appliance in a vertical position, and reconnect the cable to the socket. If the problem persists, contact a qualified service center.

Overheating protection device

This appliance is equipped with an overheating protection system, which automatically stops the operation of the fan heater. If the protection system activates, turn off the fan heater, disconnect the power cord and let the appliance cool down completely.

Contact a qualified service center.

REMOTE CONTROL



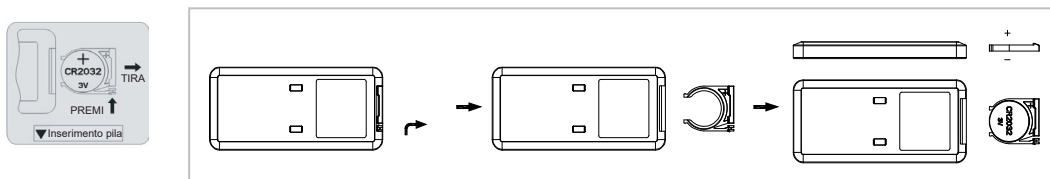
The functions of the remote control correspond to those on the control panel. On first use, remove the transparent film applied to the remote control.

Use a Lithium / Manganese button cell, model no. CR2025-3 V, compliant with Battery Directive no. 2006/66 / EC and amendments from Directive 56/2013 / EC

The battery is supplied with the product, when using it for the first time, detach the plastic tab inserted in the remote control to allow it to work.

HOW TO INSERT / REMOVE THE REMOTE CONTROL BATTERY (refer to the diagram below)

Open the battery cover at the back of the remote control (press the back and pull the flap). Insert the battery into the slot, making sure you respect the polarities. Put the cover back onto the remote control.



WARNINGS FOR BATTERIES

Batteries must not be exposed to heat sources such as fire, sun or similar sources;

Remove the batteries if they start to heat up or you know you will not use the appliance for a long time

- the batteries must be installed correctly in the appropriate battery compartment;
- when you remove the batteries because they are damaged or at the end of their life, dispose of them according to the national regulations in force and indicated below.
- In case of battery fluid leak, remove all batteries, avoiding the leaked liquid from coming into contact with skin or clothes. If liquid from the battery comes into contact with skin or clothing, wash the skin with water immediately. Before inserting new batteries, carefully clean the battery compartment with a paper towel, or follow the battery manufacturer's recommendations for cleaning.

- Warning Danger of explosion if battery is replaced with an incorrect type. Use and replace only batteries with the same size and type

Improper use of batteries can cause liquid leakage, overheating or explosion.

This liquid is corrosive and can be toxic. It can cause skin and eye burns, and is harmful to ingest.

To reduce the risk of injury:

- Keep batteries out of the reach of children.
- Do not heat, open, puncture, cut or throw batteries into fire.
- Do not mix old and new batteries or batteries of different types
- Do not leave metal objects that can come into contact with the battery terminals and therefore can heat up and / or cause burns.



INFORMATION FOR THE CORRECT DISPOSAL OF BATTERIES IN ACCORDANCE WITH EUROPEAN DIRECTIVE 2006/66/EC AND CHANGES INTRODUCED BY DIRECTIVE 2013/56 / EU

Replace batteries when they are depleted. At the end of their life, batteries must be disposed of separately from unsorted waste. They must be taken to designated recycling centres or returned to a retailer providing this service. Separate disposal of batteries prevents potential negative effects on the environment and human health due to inadequate disposal, and also allows their constituent materials to be recovered and recycled, resulting in significant savings in terms of energy and resources. In order to highlight the obligation regarding separate disposal, the battery carries the crossed-out dustbin symbol. Illegal disposal of the product by the user may lead to administrative sanctions being applied as per current regulations.

MAINTENANCE AND STORAGE

CAUTION: ALWAYS UNPLUG THE APPLIANCE BEFORE CLEANING OR MAINTENANCE OPERATIONS.

IMPORTANT: DO NOT IMMERSE THE CERAMIC FAN HEATER IN WATER

Cleaning the outside surface of the appliance

Use a soft cloth to remove any dust from the fan heater.

If the fan heater is excessively dirty, use a soft cloth dampened with water and neutral detergent at a temperature below 50°C. Leave the fan heater to dry completely before using it again.

Do not use corrosive detergents or solvents such as petrol. Do not wash the appliance with water. When cleaning the appliance, do not use oils, chemical substances or other items that may damage the surface.

Use a vacuum cleaner to remove dust from the air inlet/outlet grilles.

STORAGE

If the appliance is not used for prolonged periods, it must be stored together with this manual in its original packaging, in a cool and dry place.

INFORMATION REQUIREMENTS FOR ELECTRIC LOCAL SPACE HEATERS

Table 2 - Annex II - Ecodesign requirements - Requirements for product information -
COMMISSION REGULATION (EU) 2015/1188 of 28 April 2015 implementing Directive 2009/125/EC of the European Parliament and of the Council with regard to ecodesign requirements for local space heaters

Model identifier(s): BOBO					
Item	Symbol	Value	unit	Item	unit
Heat output				Type of heat input, for electric storage local space heaters only (select one)	
Nominal heat output	P_{nom}	2,0	kW	manual heat charge control, with integrated thermostat	[no]
Minimum heat output (indicative)	P_{min}	1,3	kW	manual heat charge control with room and/or outdoor temperature feedback	[no]
Maximum continuous heat output	$P_{max,c}$	2,0	kW	electronic heat charge control with room and/or outdoor temperature feedback	[no]
Auxiliary electricity consumption				fan assisted heat output	
At nominal heat output	e_{lmax}	0	kW	Type of heat output/room temperature control (select one)	
At minimum heat output	e_{lmin}	0	kW	single stage heat output and no room temperature control	[no]
In standby mode	$e_{l_{sb}}$	0,000	kW	Two or more manual stages, no room temperature control	[no]
				with mechanic thermostat room temperature control	[no]
				with electronic room temperature control	[yes]
				electronic room temperature control plus day timer	[no]
				electronic room temperature control plus week timer	[no]
				Other control options (multiple selections possible)	
				room temperature control, with presence detection	[no]
				room temperature control, with open window detection	[no]
				with distance control option	[no]
				with adaptive start control	[no]
				with working time limitation	[yes]
				with black bulb sensor	[no]
The seasonal space heating energy efficiency				$\eta_S(\%)$	37
Contact details : ARGOCLIMA SPA - Via A. Varo,35 - Alfianello (BS) - ITALY - www.argoclima.com					



INFORMATION ON THE CORRECT DISPOSAL OF THE PRODUCT pursuant to Art. 26 of (Italian) Legislative Decree no. 49 of 14/03/14, "IMPLEMENTATION OF DIRECTIVE 2012/19/EU ON WASTE ELECTRICAL AND ELECTRONIC EQUIPMENT"

At the end of its useful life, this appliance must not be disposed of together with household waste. We call your attention to the crucial role played by the consumer in the reuse, recycling and other forms of recovery of such waste.

The dismantled appliance, with its components collected separately, must be delivered to the local waste disposal facility or returned to the dealer free of charge when purchasing a new equivalent appliance.

Sorted disposal of electric and electronic equipment prevents potentially negative consequences on the environment and human health due to improper waste disposal, and also allows the constituent materials to be recovered and recycled, with significant savings in terms of energy and resources.

In order to highlight the obligation regarding separate disposal of these devices, the appliance carries the crossed-out wheeled bin symbol.



www.argoclima.com