



EN

**PERSONAL FAN WITH RECHARGEABLE BATTERY**

## **ORFEO TITANIUM**



### **OPERATING INSTRUCTION**

Read the instructions carefully before operating the appliance or carrying out maintenance operations.  
Observe all the safety instructions; failure to observe the instructions may lead to accidents and/or damage.  
Keep these instructions in a safe place for future reference.

## GENERAL SAFETY INFORMATION

- Inside there is a rechargeable battery: once charged, the unit can be used without electrical connection, for about 4 hours in high speed ventilation and 15 hours in silent speed ventilation.
- Battery must be replaced by qualified personnel.
- If the voltage exceeds the specified voltage, do not charge the battery.
- Be sure to disconnect the USB connector when charging is over.
- Do not use the product near windows and do not expose it on the direct sunlight.
- If water or solution enters the product, turn off the power immediately and let it dry thoroughly and try again.
- Do not impact the product or throw it. Repeated impact may cause internal failure.
- Do not disassemble, modify, or repair this product arbitrarily.
- Do not throw this product into fire.
- Do not touch the product with wet hands.
- Please be careful to prevent use by children.
- Please use the product at room temperature from 0°C to 40°C.
- Do not charge on carpets or comforters highly flammable.
- If you have trouble charging the main body, please try again with a different charging adapter or USB cable.
- If liquid gets out of the product and contacts with eyes, do not rub it, rinse with clean water and seek medical advice.
- If there is a strong heat or deformity of the product during charging, stop charging and contact Customer Service.
- Use this fan only as outlined in this manual. Any other use not recommended by the manufacturer may cause fire, electric shock or injury to people.
- Ensure that the mains power complies with the voltage specified on the fan 's data plate (DC 5V 1A).
- This appliance can be used by children aged from 8 years and above and people with reduced physical, sensory or mental capabilities or lack of experience and knowledge if they have been given supervision or instruction concerning use of the appliance in a safe way and understand the hazards involved.
- Children shall not play with the appliance.

- Cleaning and user maintenance shall not be made by children without supervision.
- This product is not a toy. Children should be adequately supervised to ensure that they do not play with the appliance.
- Disconnect the mains power when the appliance is not used or for cleaning operations.
- Do not restrict the air inlet and outlet grilles.
- Ensure that all objects are at least 30 cm from the front and sides of the appliance.
- Avoid using the fan in dusty rooms or in the presence of inflammable vapors (e.g. in workshops or garage).
- Do not place anything on the appliance, use the appliance to dry clothing.
- Use the appliance in a well-ventilated area.
- Avoid placing fingers or foreign objects in the air inlet/outlet grilles, as this may lead to electric shock or fire and may damage the appliance.
- To avoid the risk of fire, do not block the grilles or tamper with them in any way while the fan operates.
- **Do not use the appliance if the cord or plug are damaged.** If the power supply cord is damaged, it must be replaced by the manufacturer, dealer or a similarly qualified person so as to avoid any safety risks.
- Do not operate the appliance if it has fallen from a height or has suffered damage in any way. Contact qualified technical personnel to examine the appliance or perform any electrical or mechanical repairs.
- The most common cause of overheating is the build-up of dust in the appliance. Remove dust deposits by unplugging the appliance and cleaning the air outlets and grilles with a vacuum cleaner.
- Do not use abrasive detergents for cleaning this appliance. Clean the appliance with the aid of a damp (not wet) cloth rinsed in hot soapy water. Always remove the plug or USB cable from the mains socket before cleaning.
- To disconnect the fan, push the switch to OFF and remove the plug from the socket. Pull on the plug only. Avoid pulling on the cord when disconnecting the fan.

- Do not place any objects on the cord and do not bend it.
- It is not advisable to use extension cords, as these may overheat and cause the risk of fire. Do not use a single extension cord to operate multiple appliances.
- Do not immerse the cord, plug or any other element of the appliance in water or other liquids.
- Do not touch the plug with wet hands.
- Do not place the fan above or near another heat source.

**WARNING: AVOID COVERING THE FAN TO PREVENT IT FROM OVERHEATING.**

- The fan may cause the risk of fire if, while in operation, is covered by or comes into contact with **flammable** material including curtains, drapery, blankets, etc.

**KEEP THE FAN AWAY FROM THESE MATERIALS.**

- Do not connect the appliance to the mains power before it has been properly assembled and positioned.
- Do not run the cord under carpets. Do not cover the cord with blankets, carpets or similar materials. Place the cord far away from busy areas or where it cannot be accidentally pulled-out.
- Do not operate the fan in close proximity to bathtubs, showers, washbasins or pools.
- Do not position the fan below a socket outlet.
- Do not operate the appliance outdoors.

**WARNING: do not use the fan with a controller or any other external device that activates the appliance automatically, as there may be a risk of fire if the fan is covered or incorrectly positioned.**

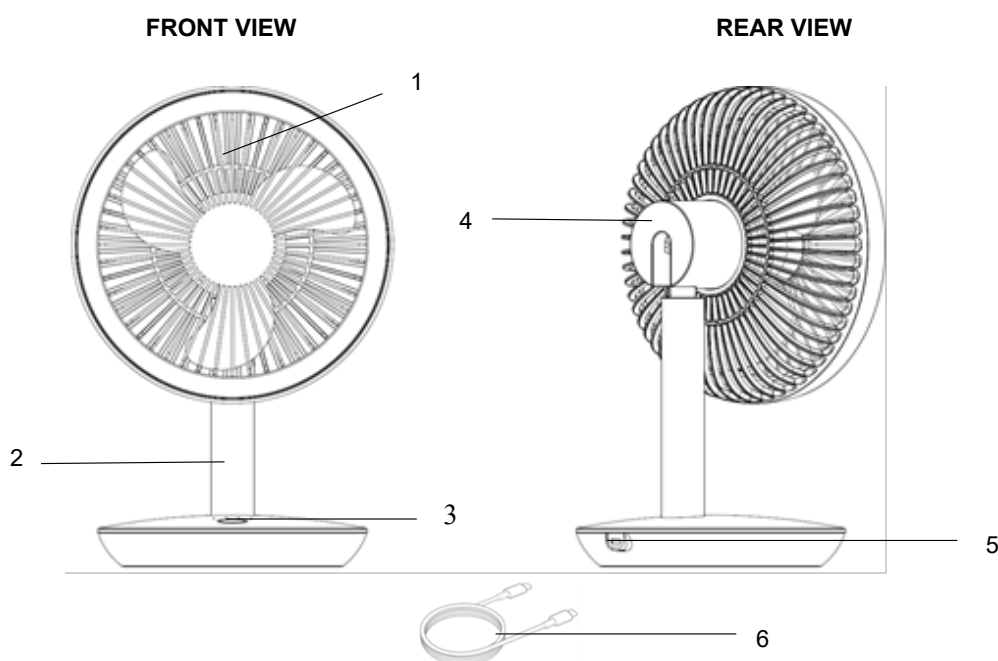
- At the first start-up the fan may emit a light and harmless odor.

**WARNING:**

**DO NOT DEPEND ON THE ON/OFF BUTTON SWITCH AS THE SOLE MEANS OF DISCONNECTING POWER. WHEN SERVICING OR MOVING THE FAN, ALWAYS UNPLUG THE POWER CORD.**

- A fan has hot and arcing or sparkling parts inside. It must not be used in potentially dangerous locations such as flammable, explosive, chemical-laden or wet atmosphere.
- Do not place the fan on soft surfaces, like a bed, where openings may become blocked. Always place the fan on a stable, flat, level surface when operating, to avoid the chance of the overturning.
- Locate the power cord so the fan or other objects are not resting on it.
- Always unplug the fan when not in use.
- In order to avoid accidents turn unit off if unattended.
- In the event of any problems (abnormal noise or a strange smell) switch off the appliance immediately, do not attempt to repair it and take it to your local after sales service.

## DESCRIPTION OF PARTS



1. Front grille
2. Aluminium stick
3. ON/OFF/SPEED button and LED indicators
4. Motor
5. Micro USB plug
6. USB-micro USB cable

The appliance does not need to be installed.

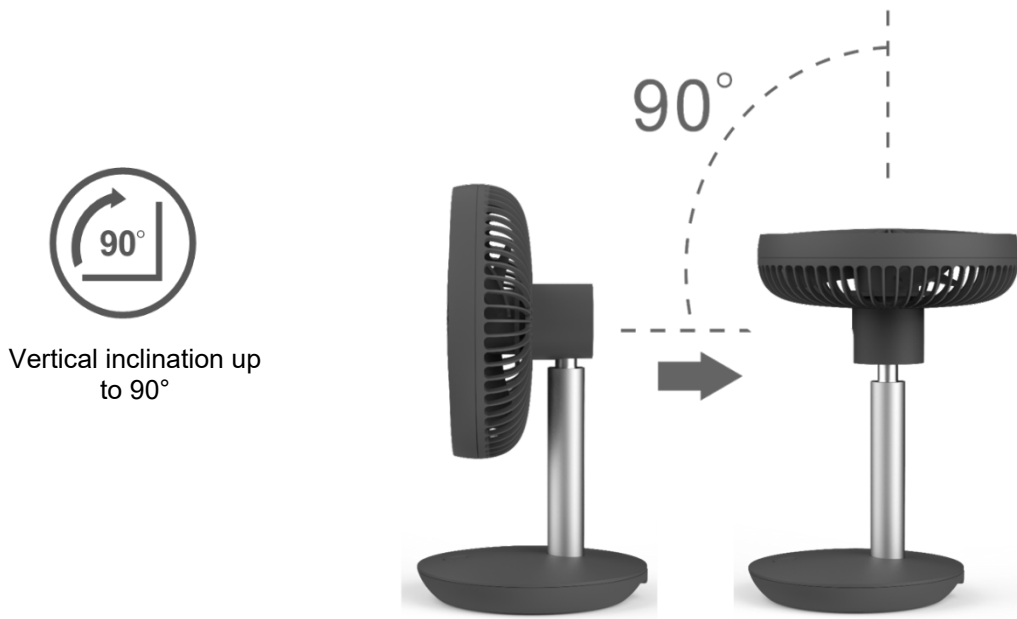
## PRE-OPERATING CHECKS AND OPERATIONS

To ensure the operating efficiency of the fan, don't place object nearby the fan in a 30 cm radius from fan.

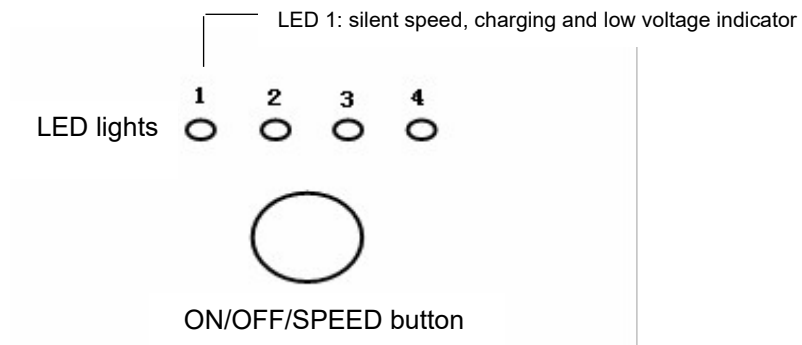
This fan is powered through a Li-ion rechargeable battery contained in the lower part of the appliance.

The battery lasts about 4 hours at high fan speed and 15 hours at silent speed. The battery is recharged by plugging in the USB cable included and then plug it in a power adaptor (5V 1A). The charging time is approximately 7 hours.

It's possible to adjust the vertical inclination of fan up to 90°



## LED LIGHTS AND FUNCTIONS



**ON/OFF/SPEED button:** Press this button to turn on or turn off the fan and to switch the ventilation speed sequentially: Silent (LED 1) -> Low (LED 2) -> Medium (LED 3) -> High (LED 4) ->OFF

When the appliance it's on the working condition for LED light are:

- Silent: Light 1 is on, light 2, 3 and 4 are off
- Low: Light 1 and 2 are on, light 3 and 4 are off
- Medium: Light 1, 2 and 3 are on, light 4 is off
- High: Light 1, 2, 3, 4 are on

Press the button ON/OFF/SPEED for 1.5 seconds and the appliance turns off directly no matter in which speed.

When the appliance is off all lights on panel are off (except LED light 1 that flashes when it is charging)

When the battery has enough capacity to work, a white LED light will be on or off according to the working state.

When the battery voltage is too low to support working, the fan will be off automatically after the LED light flash quickly for 5 times

When fan it's charging a white LED light will be on, on OFF button

**TO PRESERVE THE LIFE OF THE BATTERY IT IS RECOMMENDED TO RECHARGE THE FAN ONLY WHEN COMPLETELY DISCHARGED.**

**HOW TO CHECK THE CHARGING STATUS OF THE BATTERY ON THE DISPLAY:**

When the fan is off, a white LED will indicate the charging status according to the diagram below:

Charging Status	LED on	LED flash slowly (1s interval)
remaining capacity ≤25%	None	1 ○
25%<remaining capacity ≤50%	1 ○	2 ○
50%<remaining capacity ≤75%	1 2 ○ ○	3 ○
75%<remaning capacity ≤100%	1 2 3 ○ ○ ○	4 ○
Full charged	1 2 3 4 ○ ○ ○ ○	None

**HOW TO CHECK THE BATTERY CAPACITY ON THE DISPLAY:**

When the fan is off and not charging, hold the button down for 1.5 seconds and the LED light will indicate the remaining battery capacity (then the light will turn off when the button is no longer held down).

Battery capacity	LED light on (when button keep being pressed)
Remaining capacity ≤25%	1 ○
25%<remaining capacity ≤50%	1 2 ○ ○
50%<remaining capacity ≤75%	1 2 3 ○ ○ ○
75%<remaining capacity ≤100%	1 2 3 4 ○ ○ ○ ○

## HOW TO CHARGE THE FAN

**PLUG IN THE INCLUDED USB CABLE IN THE REAR PART OF THE FAN, PLUG IN THE CABLE IN USB WALL CHARGER (5V 1A), OR PLUG IN A PC OR A POWER BANK.**

## MAINTENANCE AND STORAGE

**ALWAYS UNPLUG THE APPLIANCE BEFORE CLEANING OR MAINTENANCE.**

### **CLEANING OF OUTSIDE SURFACE OF FAN.**

Turn the switch off and unplug before carrying out any maintenance work or moving the appliance.

Use a soft cloth to remove any dust from the fan. If the fan is excessively dirty, use a soft cloth moistened with water and a mild detergent at a temperature lower than 50°C. Let the fan dry completely before use. Do not use corrosive detergents or solvents such as petrol. Do not wash the appliance with water. Do not use oils, chemical substances or other items to clean that may damage the surface. Use a vacuum cleaner to remove dust from the air inlet/outlet grilles.

Clean the air inlet/outlet frequently.

### **STORAGE**

If the appliance is not used for prolonged periods, disconnect the power cord and store the appliance with this manual in its original packaging, in a cool and dry place.



### **INFORMATION FOR THE CORRECT DISPOSAL OF THE PRODUCT IN ACCORDANCE WITH EUROPEAN DIRECTIVE 2012/19/EU**

This appliance may not be scrapped with domestic waste at the end of its life cycle. We call your attention to the crucial role played by the consumer in the re-use, recycling and other forms of recovery of such waste.

The appliance must be scrapped by a sorted waste disposal centre or by returning it to the retailer (no charge is levied for this service), when you purchase a new equivalent appliance.

Sorted disposal of electric and electronic equipment prevents the negative effects on the environment and human health resulting from improper scrapping, and also allows the materials from which it is made to be recovered and recycled, with significant savings in terms of energy and resources.

The sorted disposal requirement is indicated by the crossed waste bin label affixed to the appliance.



improve your life

[www.argoclima.com](http://www.argoclima.com)