



EN

CERAMIC ELECTRIC FIREPLACE

Wave



This product is only suitable for well insulated spaces or occasional use.

OPERATING INSTRUCTIONS

Read the instructions carefully before operating the appliance or carrying out maintenance operations.

Observe all the safety instructions; failure to observe the instructions may lead to accidents and/or damage. Store these instructions in a safe place for future reference.

GENERAL SAFETY INFORMATION

- Use this fireplace only as described in this manual. Any other use not recommended by the manufacturer may cause fire, electric shock or injury to persons.
- Ensure that the mains power complies with the electrical requirements of the fireplace (220-240V~/50Hz).
- This appliance can be used by children aged from 8 years and above and people with reduced physical, sensory or mental capabilities or lack of experience and knowledge if they have been given supervision or instruction concerning use of the appliance in a safe way and understand the hazards involved.
- Children shall not play with the appliance.
- Cleaning and user maintenance shall not be made by children without supervision.
- This product is not a toy. Children under the age of 3 should be kept away if not continuously supervised.
- Children aged between 3 and 8 must only turn the appliance on / off as long as it has been placed or installed in its normal operating position and that they receive surveillance or instructions regarding the safe use of the appliance and understand it the dangers.
- Children between 3 and 8 years of age must not insert the plug, adjust or clean the appliance or carry out maintenance by the user.
- **WARNING: certain parts of this product may become very hot and cause burns. Special care should be taken when children and vulnerable people are nearby.**
- To avoid the risk of accidentally resetting the thermal protection, this appliance must not be powered through an external switching device, such as a timer, or connected to a circuit that is switched on and off by the utility.
- **WARNING: Do not use the fireplace with a controller or any other external device that activates the appliance automatically, as there may be a risk of fire if the fireplace is covered or incorrectly positioned.**
- Do not obstruct the air inlet and outlet grilles.
- The appliance heats up significantly during operation and may cause burns. Avoid unprotected contact with the hot surface.

- Keep flammable materials, such as furniture, cushions, blankets, paper, cloths, curtains and suchlike at least 1 m from the front and sides.
- Disconnect the mains power when the appliance is not in use or during cleaning.
- Do not use the fireplace in dusty environments or in the presence of flammable vapours (e.g. in workshops or garages).
- Do not place anything on the product; do not hang wet garments on the fireplace.
- Use the fireplace in a well-ventilated area.
- Avoid placing fingers or foreign objects in the air inlet/outlet grilles, as this may cause electric shock or fire and may damage the fireplace.
- To prevent the risk of fire, do not block the grilles or tamper with them in any way while the fireplace is in use.
- **Do not use the appliance if the power cord or plug are damaged.** If the power cable is damaged, it must be replaced by the manufacturer or its technical assistance service or in any case by a person with a similar qualification, in order to prevent any risk.
- Do not use the fireplace if it has fallen from a certain height or if it has been damaged in any way. Contact a service centre to check the fireplace or make any necessary electrical or mechanical repairs.
- The most common cause of overheating is the build-up of dust in the appliance. Remove the accumulated dust by pulling out the plug and cleaning the grilles using a vacuum cleaner.
- Do not use any abrasive products to clean the appliance. Clean it using a damp cloth (not wet) rinsed with soapy water. Remove the plug from the socket before performing any maintenance.
- To disconnect the appliance, set the switch to position 0 and remove the plug from the socket. Pull on the plug only. Do not pull on the cord when turning off the fireplace.
- Do not place any objects on the cable and avoid bending the latter.
- Extension cords are not advisable, as they may overheat and cause the risk of fire. Never use a single extension cord to operate multiple appliances.
- Do not immerse the power cord, plug or any other part of the appliance in water or other liquids.
- Do not touch the plug with wet hands.

- Do not place the fireplace above or near another heat source.
WARNING: AVOID COVERING THE FIREPLACE TO PREVENT IT FROM OVERHEATING.

The symbol below signals this warning:



- The fireplace may cause the risk of fire if, during operation, it is covered or comes into contact with **flammable** material including curtains, drapery, blankets, etc. **KEEP THE FIREPLACE AWAY FROM THESE MATERIALS.**
- Do not connect the fireplace to the power supply until it has been correctly assembled or positioned.
- Do not run the cord under carpets. Do not cover the cord with blankets, carpets or similar materials. Place the cord far away from busy areas, or in a place where it cannot be pulled out accidentally.
- Do not operate the fireplace in close proximity to bathtubs, showers, sinks or pools.
- The heating appliance must not be positioned immediately below a power outlet.
- Do not use in bathrooms.
- Do not position the fireplace beneath a power socket.
- Do not operate the appliance outdoors.
- Upon initial start-up, the fireplace may emit a faint but harmless smell. This smell is a normal effect of the initial heating up of the internal heating elements, and should not recur later on.

WARNING:

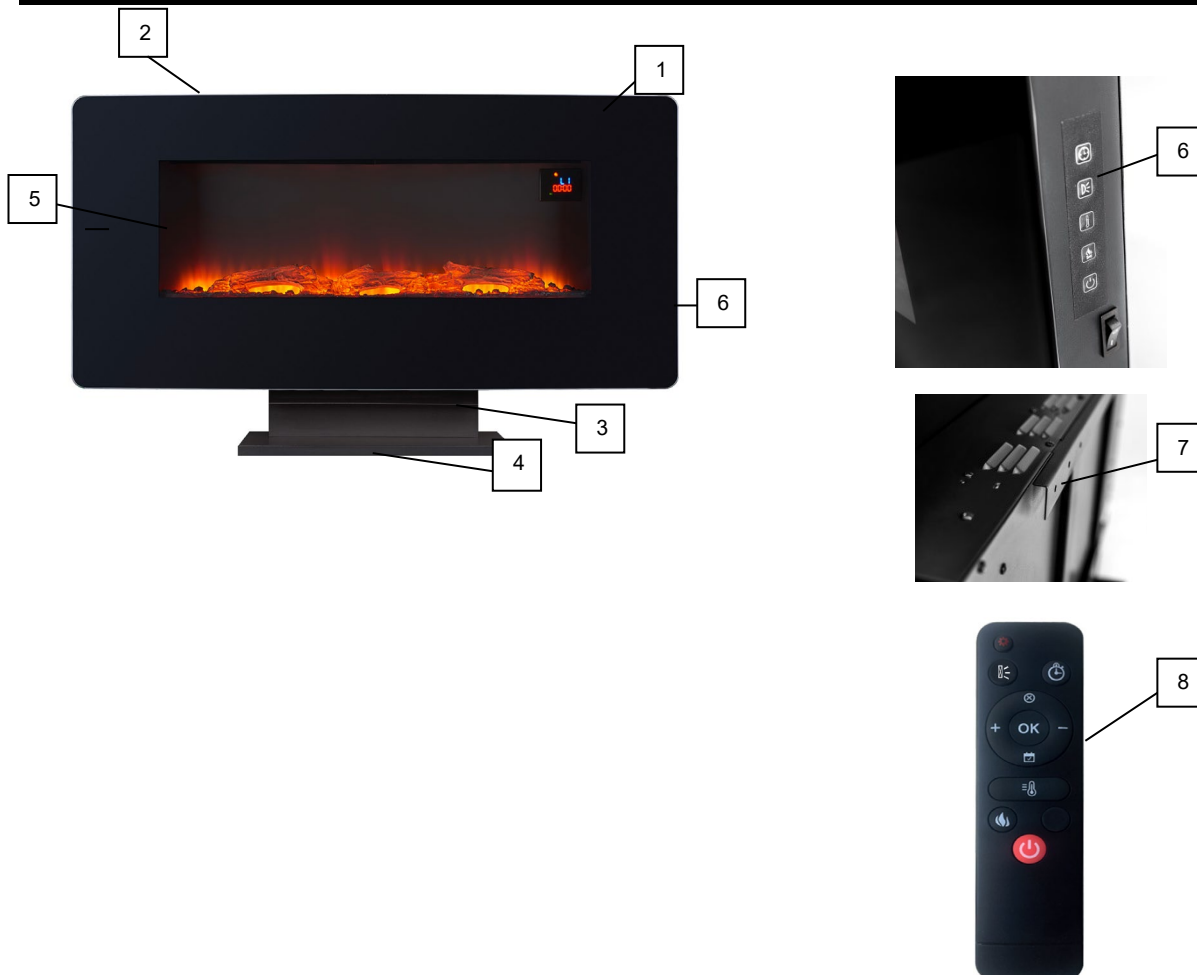
THE ON/OFF SWITCH IS NOT THE ONLY METHOD OF DISCONNECTING THE MAINS POWER. ALWAYS UNPLUG THE APPLIANCE DURING MAINTENANCE OPERATIONS, TRANSPORT OR WHILE IT IS NOT IN USE.

- A fireplace contains parts that generate electrical arcs and sparks. It must not be used in potentially dangerous areas such as those subject to the risk of fire or explosion, or areas filled with chemical substances or humidity.
- Do not use the appliance on soft surfaces such as beds, where the grilles may get covered. Always rest the fireplace on a flat and stable surface when it is in operation, so as to prevent it from

toppling over. Arrange the cord so that the fireplace or other objects do not rest on it.

- Always unplug the appliance when it is not in use.
- Turn the appliance off if unattended, in order to prevent accidents.
- In the event of any anomalies (abnormal noise or a strange smell), turn off the appliance immediately. Do not attempt to repair it but take it to your local service centre.

DESCRIPTION OF PARTS



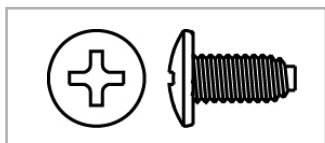
1. Front panel in tempered glass
2. Upper air intake grille
3. Hot air delivery flap
4. Base

5. RGB LED side strip (can be deactivated)
6. Side control panel
7. Hooks for wall mounting
8. Remote control

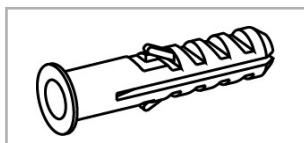
HOW TO INSTALL THE ELECTRIC FIREPLACE

The fireplace can be used on the floor, after installation of the rectangular base, or alternatively it can be wall-mounted using the specific accessories supplied.

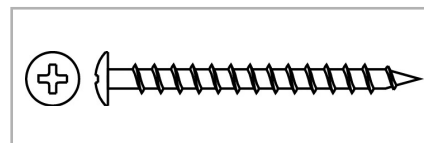
INSTALLATION KIT COMPONENTS



1. SCREWS - M4 x 8 mm x 12

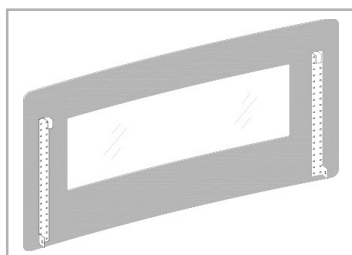


2. LARGE PLUG x 5

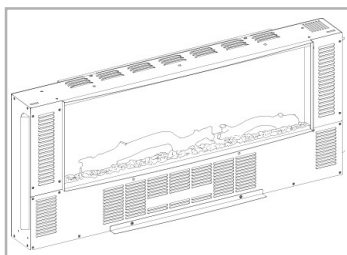


3. SCREWS – M5 x 50 mm x 5

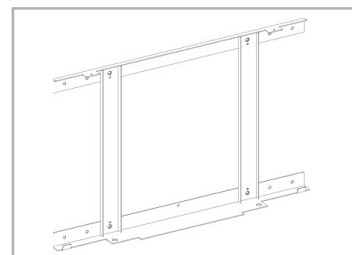
FIREPLACE COMPONENTS TO ASSEMBLE



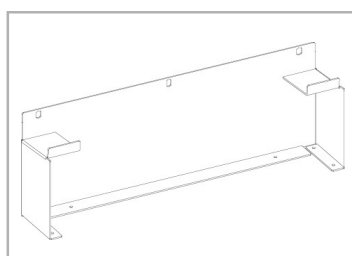
1. Panel in tempered glass



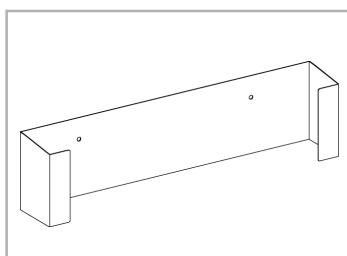
2. Firebox



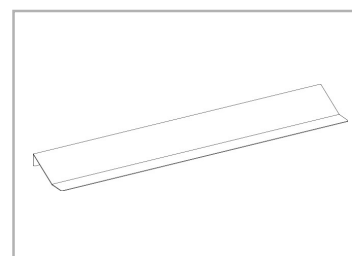
3. Wall mounting brackets



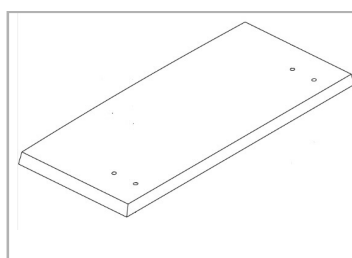
1. Firebox support structure



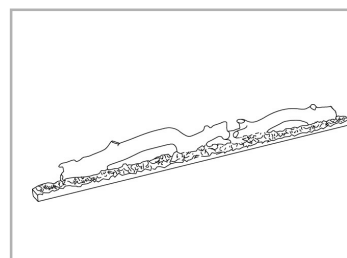
2. Front support bracket



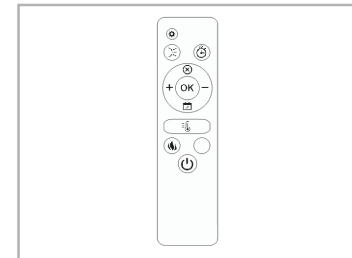
3. Hot air outlet flap



1. Fireplace base plate



2. Firebox wood block



3. Remote control

CHOOSING A LOCATION FOR INSTALLATION

The fireplace circulates hot air by convection and creates a current of air in the surrounding area: the heat can thus reach the walls near the fireplace. Avoid mounting the fireplace on walls with painted surfaces or delicate coatings. Carefully check the solidity of the walls on which you want to hang the fireplace.

DO NOT

- ✓ Mount the fireplace on the floor or ceiling.
- ✓ Recess mount any part of the fireplace.
- ✓ Run the power cord under a rug.
- ✓ Position electrical appliances immediately above the fireplace (e.g. TV).
- ✓ Position the fireplace in a place where curtains or drapes might cover the air intake grilles.
- ✓ Position the fireplace next to a door that opens often, creating the risk of impact/damage.
- ✓ Sit or stand on the fireplace.

- ✓Use the appliance to dry clothing.
- ✓Use the appliance outdoors.

MINIMUM DISTANCES

- ✓between the top of the wall-mounted fireplace and the ceiling: 30 cm.
- ✓between the bottom of the wall-mounted fireplace and the floor: 20 cm.
- ✓from the sides of the fireplace: 10 cm.
- ✓from the front panel of the fireplace: 50 cm.

WALL MOUNTING

WARNING!

DO NOT CONNECT THE APPLIANCE TO THE MAINS POWER SUPPLY BEFORE INSTALLATION

Argoclima S.p.A. accepts no responsibility for any injury or damage that may result from improperly performed installation / handling.

Finding the best place to mount the fireplace, considering the positioning of furniture and windows and compliance with suggested distances.

To ensure safety, check that the wall and the fixing elements have the load capacity to support the weight of the fireplace. The appliance should not be installed until drywall plastering and / or sanding and painting of walls have been completed.

The wall where the appliance is to be mounted must be capable of long-term support of the total appliance load and have sufficient strength to withstand phenomena such as earthquakes, vibrations, and other external events. Plasterboard is not considered a structural material; we therefore recommend that you do not rely on plasterboard fastenings to support the weight of the appliance.

Do not obstruct the appliance ventilation holes. The wall on which the appliance is mounted must be flat. Mount only on a vertical surface. Avoid slanted surfaces. Mounting on anything other than a vertical wall may result in fire, damage or injury.

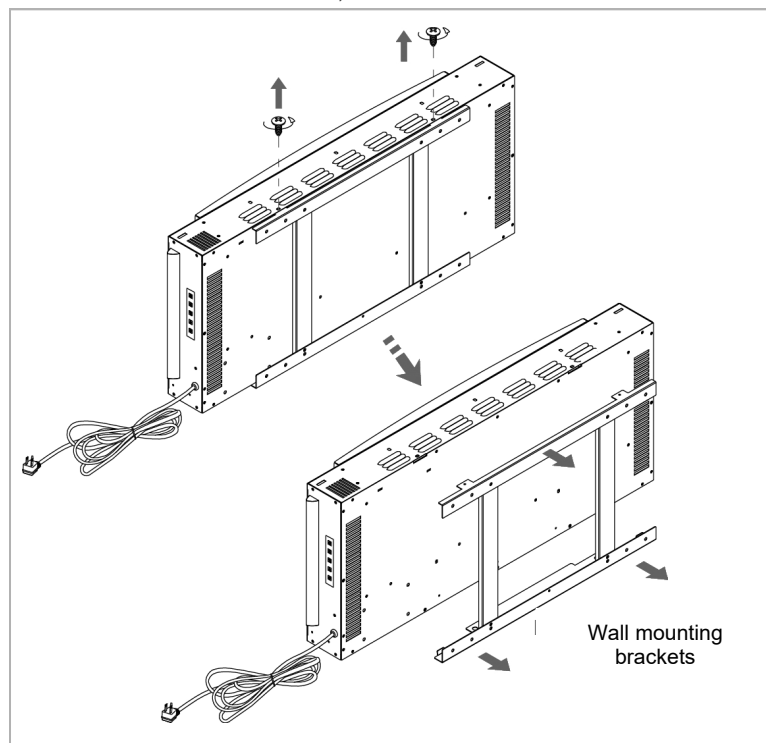
Depending on the conditions of the wall, you may need to use extra fastening hardware in addition to that supplied. In this case, the additional hardware and plugs must be of the same size and type as those supplied.

INSTRUCTIONS FOR WALL MOUNTING

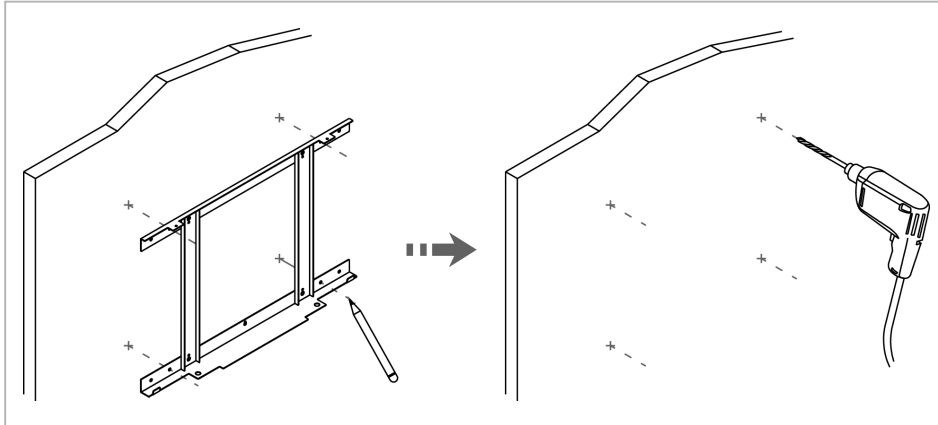
The fireplace packaging contains all the accessories necessary for wall-mounting.

The procedure is as follows:

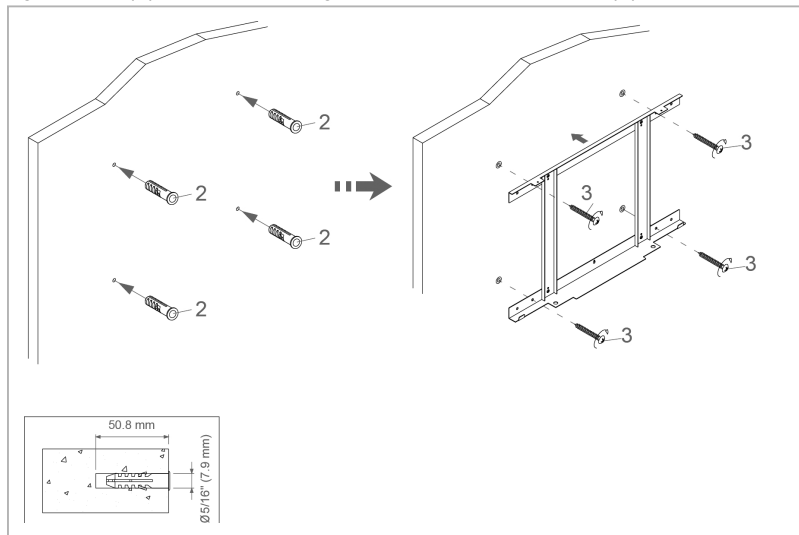
1. Remove the wall mounting bracket from the back of the unit as described in the figures: loosen the two screws at the top of the two vertical bars of the wall bracket, then remove the bracket from the unit.



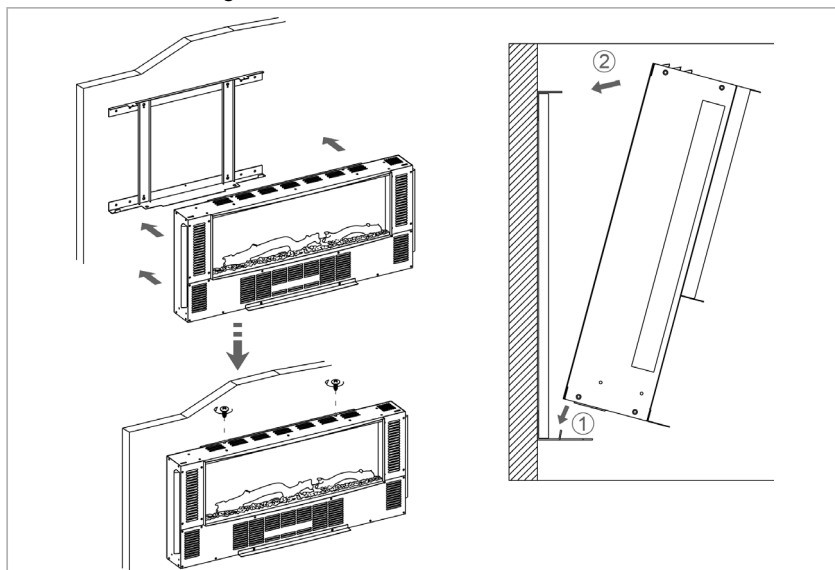
2. Placing the bracket against the wall, use a pencil to mark the 4 points on the wall where you need to make the holes for the rawplugs. Adhere to the above minimum distances from the walls.
3. Using an electric drill (not supplied) at low speed, drill 4 holes of 5/16 inch diameter to a depth of at least 1.5 inches, on the marked spots.

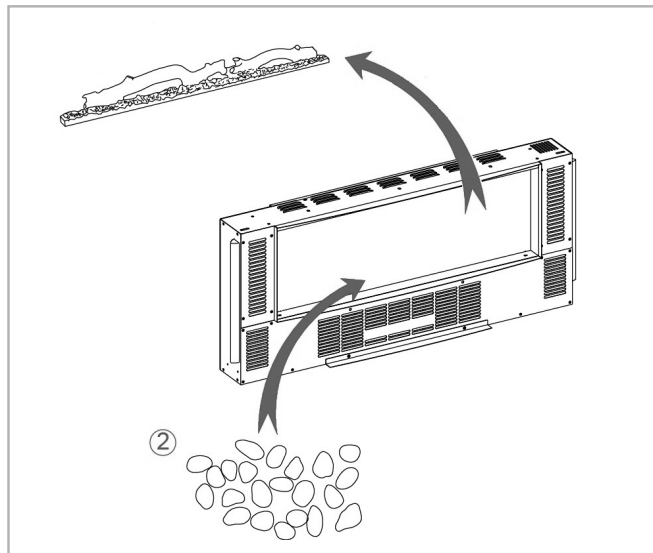


4. Insert 4 large plugs (2) into the holes with a hammer until they are flush with the wall.
5. Fasten the mounting bracket (3) to the wall using four M5 x 50 mm screws (3), as shown in the figures below.



6. Fit the firebox onto the hooks at the bottom of the mounting bracket, and push the top of the firebox onto the mounting bracket as shown.
7. Hold the fireplace in position and secure it to the mounting bracket by replacing the two small screws that were removed in step 2, as shown in the figures below.





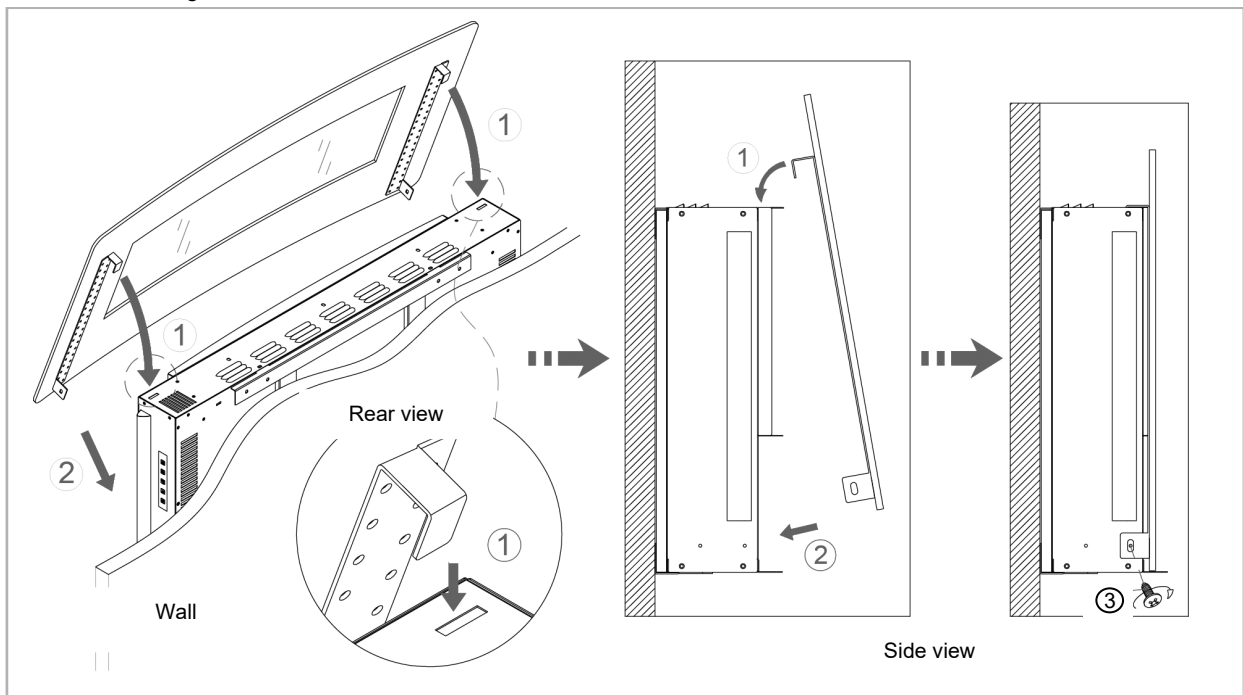
NOTE:

Pebbles and crystals provided as optional can be replaced by the block of wood.

8. Lift the glass panel into place, and then move it and secure it to the firebox, ensuring that the 2 hooks on the rear of the upper part of the panel engage securely with the slots on the top of the firebox as shown (1).

NOTE: We recommend that this operation be performed by two people in order to avoid damage to the glass panel or the firebox.

9. Grasp and fix the bottom part of the glass panel to the firebox (2), using two M4 x 8 mm screws (3) on both sides, as shown in the figures below.

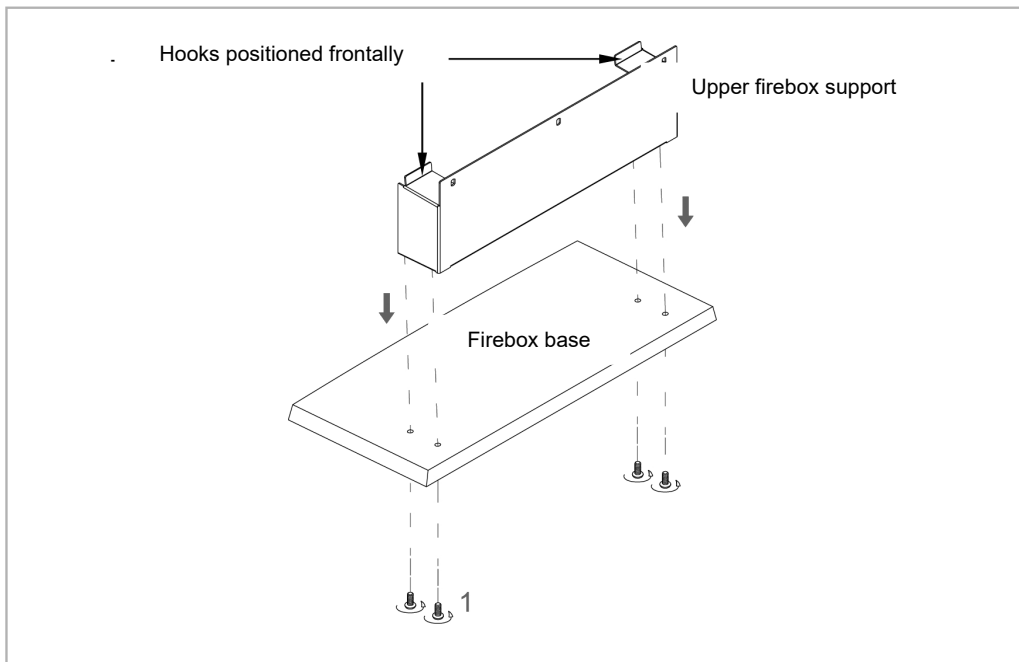


MOUNTING PORTABLE FIREPLACE

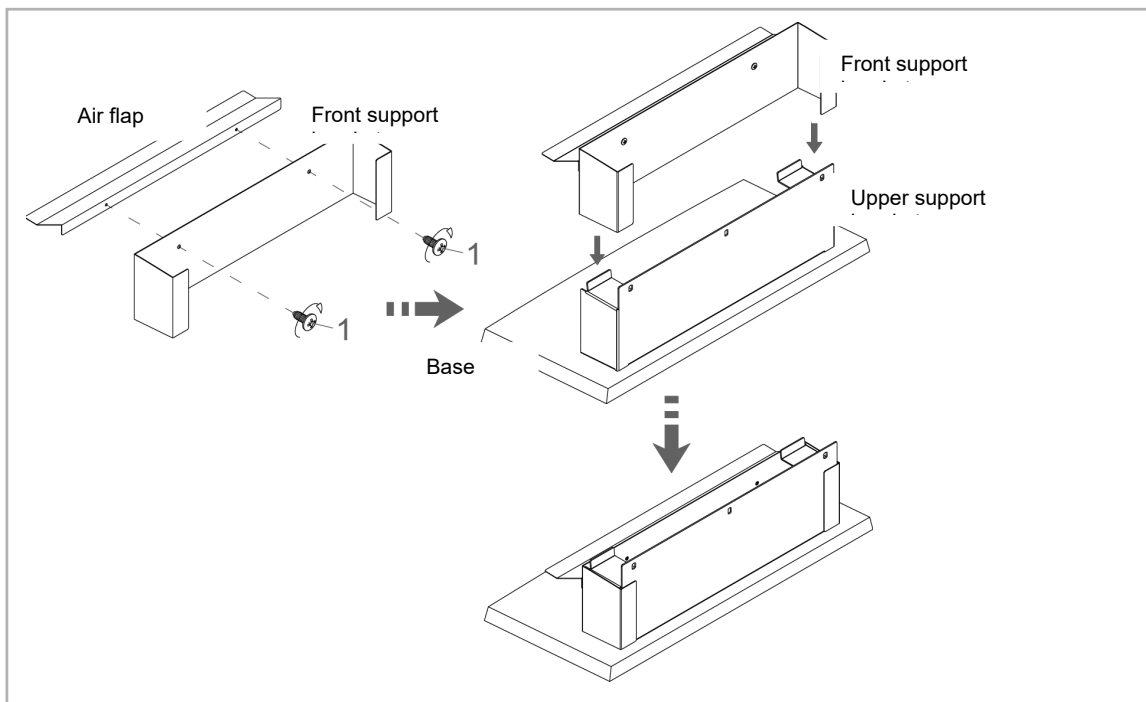
In the packaging the fireplace is also provided with a base for use as a portable device.

The procedure for assembly of the fireplace is as follows.

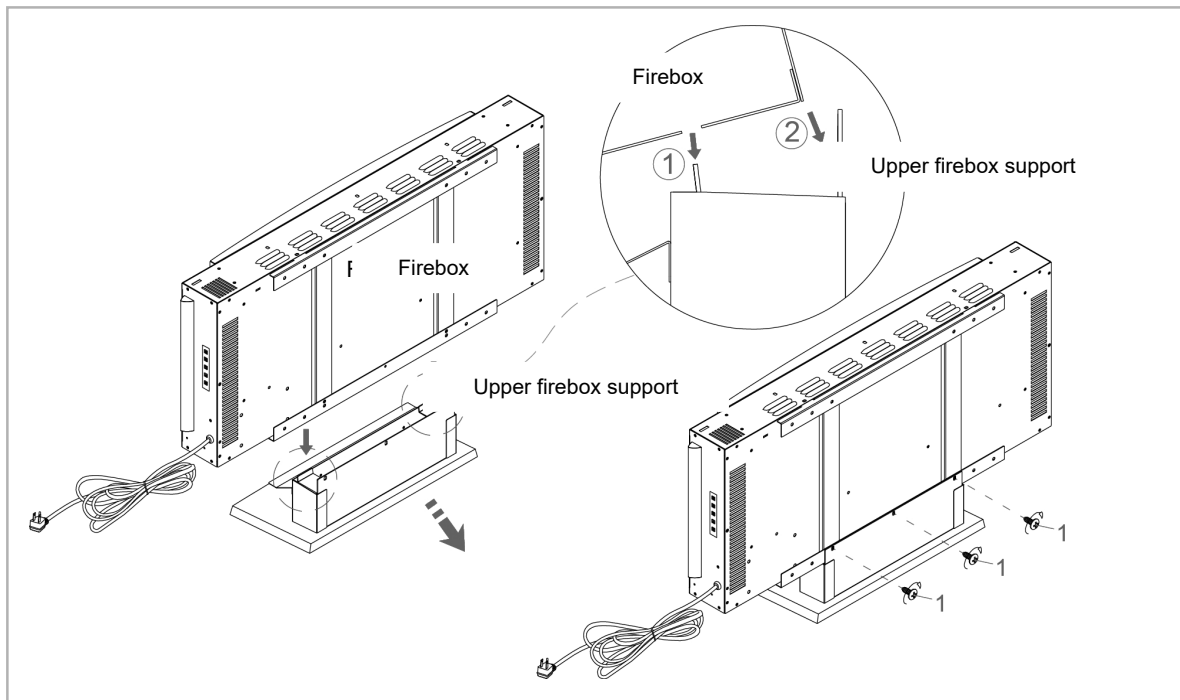
1. Align and fix the top support bracket of the firebox to the base with four M4 screws (1) and fully tighten the screws with a Phillips screwdriver.



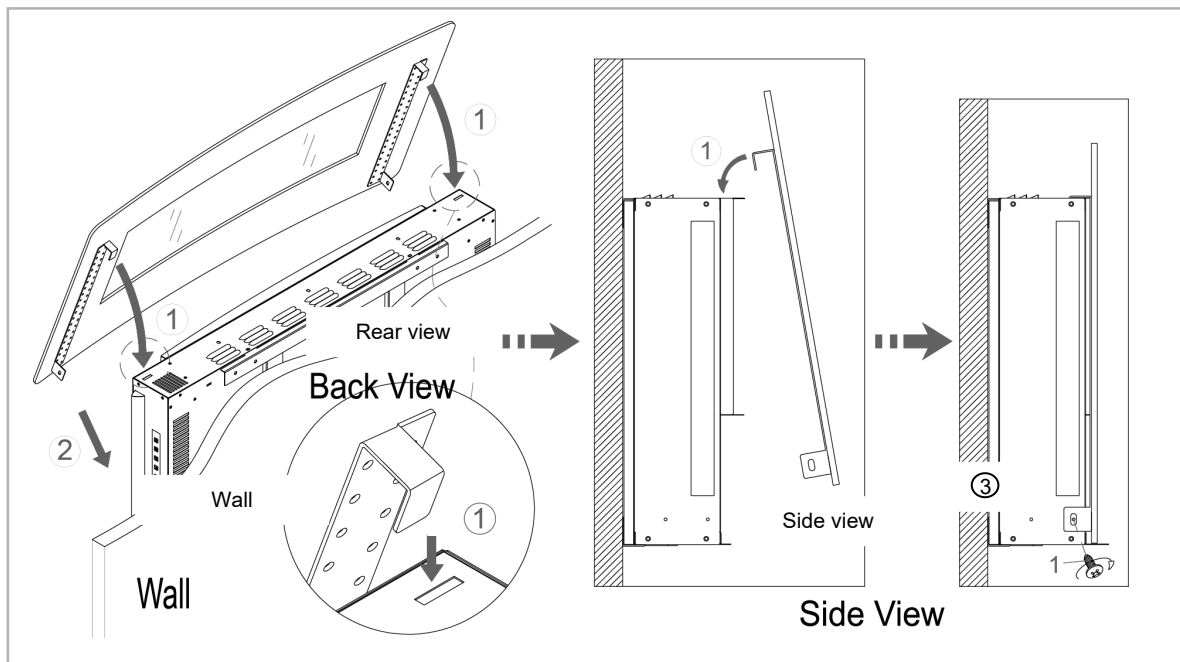
2. Fix the flap to the front support bracket with two M4 x 8 mm screws (1), as shown.
3. Slide the front part onto the upper support bracket of the firebox and place the assembly on the base plate.



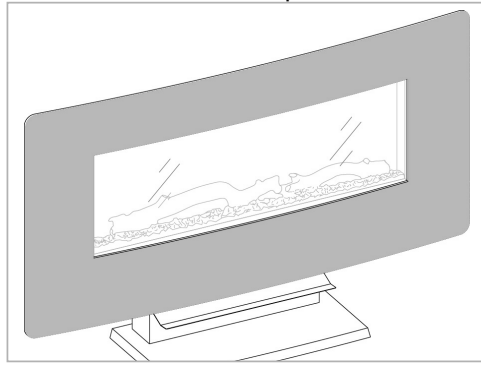
4. Position the firebox on the upper support bracket so that the hooks of the support are inserted correctly into the slots at the bottom of the firebox and the rear mounting holes overlap.
5. Insert 3 M4 x 8 mm screws (1) through the mounting holes and tighten securely with a Phillips screwdriver, as shown in the figure below.



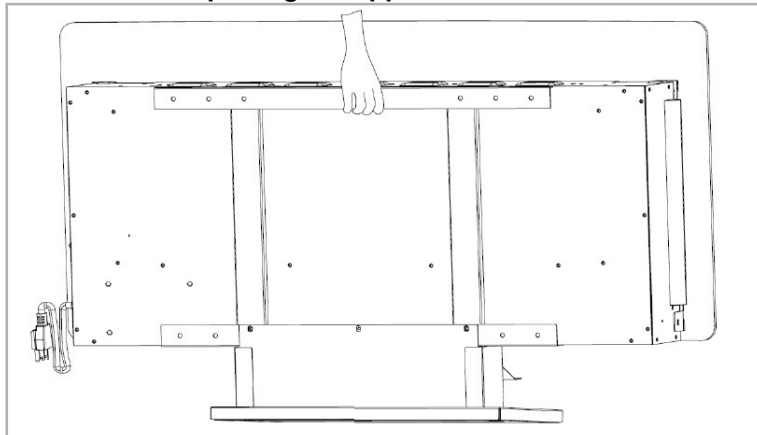
6. Lift the glass panel into place, and then move it and secure it to the firebox, ensuring that the 2 hooks on the rear of the upper part of the panel engage securely with the slots on the top of the firebox as shown (1).
NOTE: We recommend that this operation be performed by two people in order to avoid damage to the glass panel or the firebox.
7. Grasp and fix the bottom part of the glass panel to the firebox (2), using two M4 x 8 mm screws (3) on both sides, as shown in the figures below.



Installation of the appliance on the base is now complete.



NOTE: Use the handle for transporting the appliance.



HOW TO USE THE FIREPLACE

Place the fireplace in the vertical position on a flat and stable surface. Use the carrying handles.

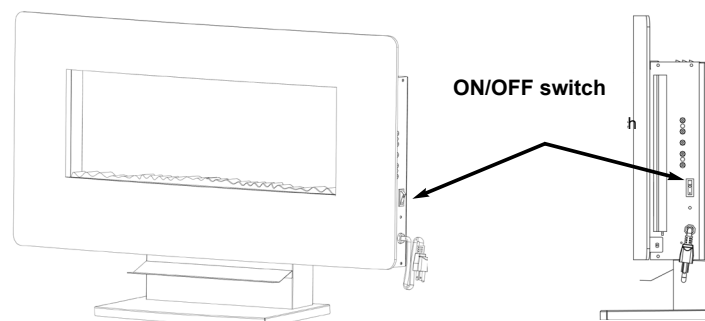
Connect the power cord to a suitable electric socket (220-240V~/50Hz).

This fire has LEDs (Light Emitting Diode) rather than conventional light bulbs. LEDs generate the same light levels as conventional bulbs but consume only a fraction of the energy. LEDs are maintenance-free and will not require replacement during the life of the product.

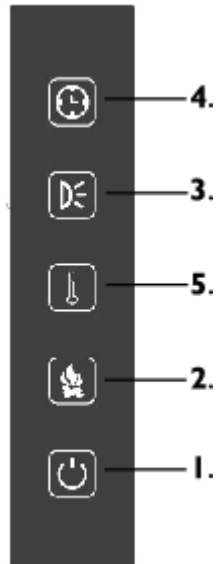
ON/OFF Switch (on the right side).

Move the power switch to position "I" to put the unit on stand-by, ready for use.

Move the button to the "0" position to switch off the appliance.



CONTROL PANEL



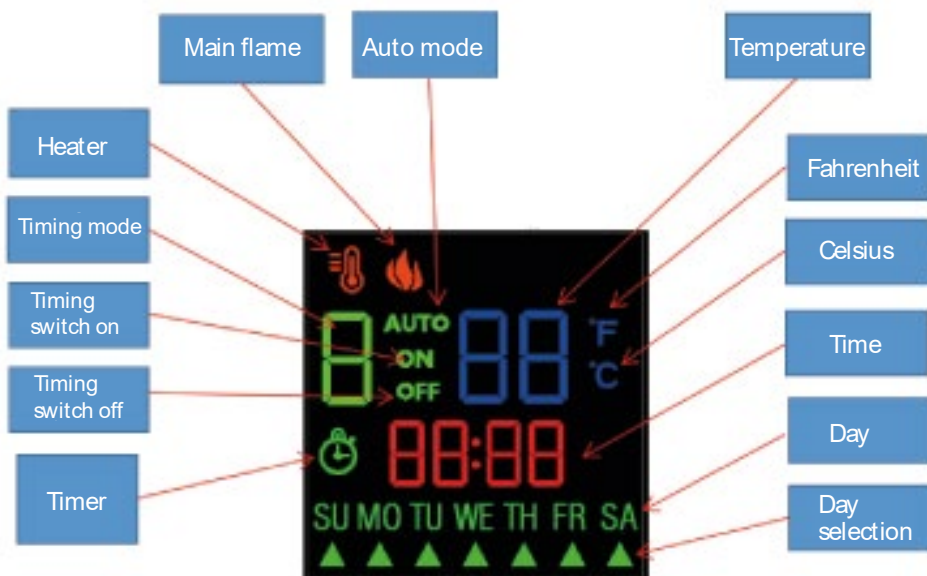
REMOTE CONTROL



1. "POWER" button
2. Flame effect button
3. Side flame RGB LED button
4. Timer
5. HEATER button: in mode Week timer you can set temperature; in daily use In daily use you can only switch on/off the heater

6. Temperature (+) setting button (only on remote control)
7. Temperature (-) setting button (only on remote control)
8. Time and week timer setting button (only on remote control)
9. Day button: to choose day from Monday to Sunday or week timer mode option (1-2-3-4-5-6-7-A)
10. Cancel button : to cancel weekly timer (only on remote control)
11. Ok button: Run the preset mode after choosing week timer (only on Remote control)

DISPLAY



CONTROL PANEL ON THE UNIT

Side LED button

You can select the desired colour in accordance with the following sequence (cycle):

- 1st press: blue – display b1**
- 2nd press: amber - display b2**
- 3rd press: amber and blue - display b3**
- 4th press: colours in rotation - display b4**
- 5th press: OFF - display OF**

HEATER Button

Press this key to turn on the heating function on/off and (+) (-) to select temperature: 17-18-19-20-21-22-23-24-25-26-27°C – ON.

1. **Press this key to turn on the heating function.** Temperature setting: press and hold the button for a few seconds until the display fluctuates, then select the desired temperature. Wait for a few seconds; when the display stops fluctuating the temperature is set.
2. **Fan delay function:** fan shut down after heating stop working for 15s.
3. **Open window detection:** if a window is open in the room for 30 minutes, the alarm "OP" is shown on display: you can press "Hater" for 3 seconds or turn the fire off then turn it on to eliminate the alarm. If the alarm is not eliminated within 30", the fire turns off automatically.

TIMER button (only SWITCH OFF TIMER)

When the unit is in operation, by pressing this button you can set the running time from 1 to 9 hours (cycle), as indicated below. The display of the unit will now show a timer icon and an indication of the number of hours.

press	No. Hours	Display
1st	1	1H
2nd	2	2H
3rd	3	3H
4th	4	4H
5th	5	5H
6th	6	6H
7th	7	7H
8th	8	8H
9th	9	9H
10th	0	OFF

"POWER" button

Press the POWER button when the ON/OFF switch is in position (I) to enable the operation of the unit.

The display will show the flame symbol and indication L1, corresponding to flame effect 1.

Press the POWER button to turn the unit off. To completely switch off the appliance, turn the ON/OFF switch to position 0.

ON/OFF switch

FLAME EFFECT selection button

You can select the desired effect in accordance with the following sequence; the display shows the flame icon next to the selected effect:



- 1st press: amber flame (L1)**
- 2nd press: amber and blue flame (L2)**
- 3rd press: fuchsia and blue flame (L3)**
- 4th press: flame with colours in rotation (L4)**
- 5th press: OFF**


Clock and weekly timer setting


1. **Clock setting:** When the unit is on stand-by mode press the setting button on the remote control or the Timer button on the control panel for 3 seconds, at this point the display should show "00:00" flashing. Press + on the remote control or the Flame effect button on the unit to set the hour, press – on the remote control or the heater button on the unit to set the minutes. After the initial power on, set the clock, otherwise the clock remain "00:00" status and weekly timer function can't be set.

Press the Setting button on the remote control or Timer on the control panel of the unit to enter the setting for the weekly timer. Press the Day button or the flame effect button on the unit to select the day of the week, then press Setting again to exit.


When turning on the unit, the clock will automatically light and it will turn off after 60 seconds.

2. **Heat setting:** To select the desired heat temperature press the heater button on the remote control and adjust it.
3. **Timer on/off setting:** With the unit working, press "Setting"  to set the weekly timer. Press  to enter MODE 1

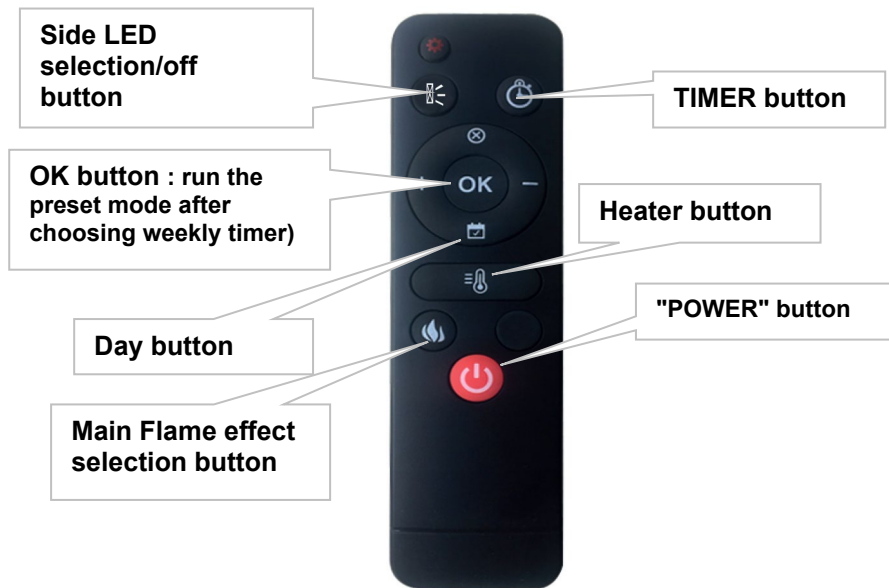
and to set timer ON: the display will show "01:00"; press + to set the hour and – to set the minutes, then press  to set the day of the week until reached the designated day, to confirm press +, to remove the day press –. The

symbol  shows all selected days. Press "Heater" to select the temperature and adjust it by pressing + or -. To confirm press OK. Press "Setting" again to set the timer OFF: the display will show "02:00";, press + to set the hour and – to set the minutes. To confirm press OK, or press the "Setting" button again to enter MODE 2 and repeat the procedure in the same way as MODE 1. You can set up to 7 modes.

After having set the timer, press the Day button to select the desired mode (1-7 and auto) and wait 10 seconds to confirm the displayed one.

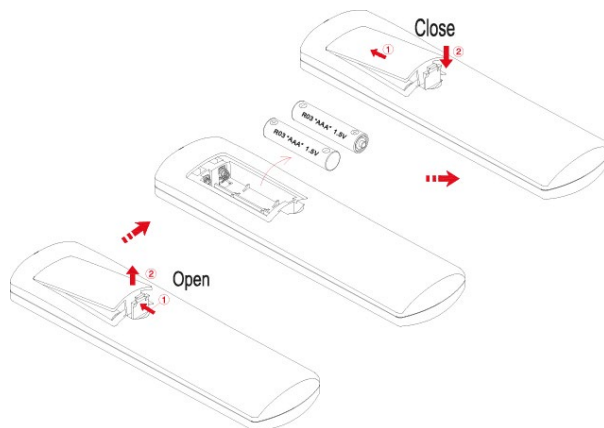
To exit the weekly timer mode, press 

REMOTE CONTROL



Use Alkaline batteries, model no. LR03_AAA, 1,5V, compliant with Battery Directive no. 2006/66/EC and modification by Dir.no 2013/56/EU (supplied with the remote control).

HOW TO INSERT / REMOVE THE REMOTE CONTROL BATTERIES (refer to the diagram below) Open the battery cover on the back of the remote control (press and pull the rear cover). Place the battery inside the cover, making sure the polarity is correct. Slot the cover back into position on the remote control.



WARNINGS FOR BATTERIES

Batteries must not be exposed to heat sources such as fire, sun or similar sources;

Remove the batteries if they start to heat up or you know you will not use the appliance for a long time

- the batteries must be installed correctly in the appropriate battery compartment;

- when you remove the batteries because they are damaged or at the end of their life, dispose of them according to the national regulations in force and indicated below.

- In case of battery fluid leak, remove all batteries, avoiding the leaked liquid from coming into contact with skin or clothes.

If liquid from the battery comes into contact with skin or clothing, wash the skin with water immediately. Before inserting

new batteries, carefully clean the battery compartment with a paper towel, or follow the battery manufacturer's

recommendations for cleaning.

● Warning Danger of explosion if battery is replaced with an incorrect type. Use and replace only batteries with the same size and type

Improper use of batteries can cause liquid leakage, overheating or explosion.

This liquid is corrosive and can be toxic. It can cause skin and eye burns, and is harmful to ingest.

To reduce the risk of injury:

● Keep batteries out of the reach of children.

● Do not heat, open, puncture, cut or throw batteries into fire.

● Do not mix old and new batteries or batteries of different types

● Do not leave metal objects that can come into contact with the battery terminals and therefore can heat up and / or cause burns.

INFORMATION FOR THE CORRECT DISPOSAL OF BATTERIES IN ACCORDANCE WITH EUROPEAN DIRECTIVE 2006/66/EC and modification by Dir.no 2013/56/EU

Replace batteries when they are depleted. At the end of their life, batteries must be disposed of separately from unsorted waste. They must be taken to designated recycling centres or returned to a retailer providing this service. Separate disposal of batteries prevents potential negative effects on the environment and human health due to inadequate disposal, and also allows for recovering and recycling their constituent materials, resulting in significant savings in terms of energy and resources. The separate disposal obligation is underlined by the crossed-out dustbin symbol appearing on the battery. Illegal disposal of the product by the user shall result in administrative sanctions being applied as per current regulations.



OVERHEATING SAFETY DEVICE

In case of overheating, the safety system of the appliance automatically disables the heating elements and the motor, thus shutting down the operation of the fireplace.

In this case:

- remove the cause of the overheating (e.g. obstacles on the air intake/outlet grilles, dust deposits in the appliance, etc.);
- allow the unit to cool for 15/20 minutes;
- turn on the fireplace again and ensure it operates correctly.

If the procedure was followed properly and the unit still fails to operate, check the fuse in the wall socket. If this is not the cause, contact a service centre.

POSSIBLE SOLUTIONS TO PROBLEMS

PROBLEM	POSSIBLE SOLUTION
The fireplace will not turn on	Ensure that the ON/OFF switch is at I. Replace the fuse (13 amp) in the plug.
The fireplace does not emit heat	The fireplace is fitted with a thermostat to save energy. If the room temperature is higher than the set temperature, the unit does not produce heat. If you set a higher temperature, the fireplace will begin to emit heat.
The fireplace switches off after a period of operation	Check that the temperature is not set at minimum. When the room temperature reaches the set temperature, the fire goes out. Make sure that the air inlet and outlet are not obstructed.
The fireplace is noisy	A slight noise may be heard when the flame effect is active, caused by a motor that allows the production of this effect. The noise will be perceptible only when there is no background noise. A higher level of noise is noticeable when you turn on the heating function, caused by the fan that circulates the hot air.
The remote control is not working	Ensure the battery is correctly positioned or replace it.
EE error	When the error code EE appears, the LED indicator turns red. It is a problem with the electronic board, therefore contact an authorized assistance centre.
88 error	When error code 88 appears, the LED indicator turns blue. This is a thermostat problem. Turn off the appliance and try to remove any obstructions that may be present on the air delivery and intake. After 5-10 minutes turn on the product again. If the problem persists, contact an authorized service centre.
OP code	When the OP error code appears, the LED indicator turns orange. Close the windows and wait several minutes, then turn the appliance back on.

MAINTENANCE AND STORAGE

CAUTION: ALWAYS UNPLUG THE APPLIANCE BEFORE CLEANING OR MAINTENANCE OPERATIONS. IMPORTANT: DO NOT IMMERSE THE FIREPLACE IN WATER.

Cleaning the outside surface of the appliance

Switch off the fireplace and unplug it before cleaning or moving the appliance.

Use a soft cloth to remove any dust from the product.

Should this not suffice, use a soft cloth dampened with water and neutral detergent at a temperature below 50 °C. Leave the appliance to dry fully before using it again.

Do not use corrosive detergents or solvents such as petrol. Do not wash the appliance with water. When cleaning the appliance, do not use oils, chemical substances or other items that may damage the surface.

Use a vacuum cleaner to remove dust from the air inlet/outlet grilles.

STORAGE

If the appliance is not used for prolonged periods, it must be stored together with this manual in its original packaging, in a cool and dry place.

INFORMATION REQUIREMENTS FOR ELECTRIC LOCAL SPACE HEATERS

Table 2 - Annex II - Ecodesign requirements - Requirements for product information -
 COMMISSION REGULATION (EU) 2015/1188 of 28 April 2015 implementing Directive 2009/125/EC of the European Parliament and of the Council with regard to Ecodesign requirements for local space heaters

Model identifier(s): WAVE					
Item	Symbol	Value	unit	Item	unit
Heat output				Type of heat input, for electric storage local space heaters only (select one)	
Nominal heat output	P_{nom}	1.4	kW	manual heat charge control, with integrated thermostat	NA
Minimum heat output (indicative)	P_{min}	NA	kW	manual heat charge control with room and/or outdoor temperature feedback	NA
Maximum continuous heat output	$P_{max,c}$	1.4	kW	electronic heat charge control with room and/or outdoor temperature feedback	NA
Auxiliary electricity consumption				fan assisted heat output	
At nominal heat output	e_{lmax}	NA	kW	Type of heat output/room temperature control (select one)	
At minimum heat output	e_{lmin}	NA	kW	single stage heat output and no room temperature control	[no]
In standby mode	e_{lsb}	0	kW	Two or more manual stages, no room temperature control	[no]
				with mechanic thermostat room temperature control	[no]
				with electronic room temperature control	[no]
				electronic room temperature control plus day timer	[no]
				electronic room temperature control plus week timer	[yes]
				Other control options (multiple selections possible)	
				room temperature control, with presence detection	[no]
				room temperature control, with open window detection	[yes]
				with distance control option	[no]
				with adaptive start control	[no]
				with working time limitation	[no]
				with black bulb sensor	[no]
Contact details :	ARGOCLIMA SPA - Via A. Varo,35 - Alfianello (BS) - ITALY - www.argoclima.com				

INFORMATION ON THE CORRECT DISPOSAL OF THE PRODUCT pursuant DIRECTIVE 2012/19/EU ON WASTE ELECTRICAL AND ELECTRONIC EQUIPMENT"



At the end of its useful life, this appliance must not be disposed of together with household waste. We call your attention to the crucial role played by the consumer in the reuse, recycling and other forms of recovery of such waste. The dismantled appliance, with its components collected separately, must be delivered to the local waste disposal facility or returned to the dealer free of charge when purchasing a new equivalent appliance. Sorted disposal of electric and electronic equipment prevents potentially negative consequences on the environment and human health due to improper scrapping, and also allows the constituent materials to be recovered and recycled, with significant savings in terms of energy and resources. The sorted disposal requirement is indicated by the crossed waste bin label displayed on the appliance.



www.argoclima.com