

LINE-UP

OUTDOOR UNITS

Energy efficiency class up to A++ in cooling mode and up to A+ in heating mode.

Intelligent adjustment of compressor frequency, accurate temperature control.

Reliable cooling and heating operation down to -20 °C outdoor temperature, up to +52 °C (cooling).

Maximum length of pipe connections 75 m; height difference between units up to 30 m.

Minimization of the sound level thanks to the axial fan.

Fast achievement of comfort conditions: the unit allows rapid cooling and heating and is able to quickly reach the temperature set by the user.

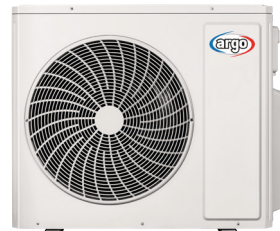
Intelligent defrosting technology: the unit is able to correctly evaluate the presence of frost on the outdoor unit through a temperature sensor. The goal is to "defrost only when needed", optimizing the heating effect for high environmental comfort.



AEG ECO PLUS 35PIH (1PH)



AEG ECO PLUS 50PIH (1PH)
AEG ECO PLUS 71PIH (1PH)
AEG ECO PLUS 85PIH (1PH)



AEG ECO PLUS 100PIH (1PH)
AEG ECO PLUS 100PIH3 (3PH)
AEG ECO PLUS 140PIH (1PH)
AEG ECO PLUS 140PIH3 (3PH)



AEG ECO PLUS 160PIH3 (3PH)




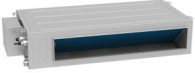
Code	Model	Nominal (max.-min.) heating capacity (kW)	Nominal (max.-min.) cooling capacity (kW)
398700009	AEG ECO PLUS 35PIH	3.50 (0.90-4.69)	4.00 (0.90-4.50)
398700010	AEG ECO PLUS 50PIH	5.00 (1.60-5.80)	5.50 (1.60-6.10)
398700011	AEG ECO PLUS 71PIH	7.00 (2.40-7.60)	8.00 (2.20-8.60)
398700012	AEG ECO PLUS 85PIH	8.50 (2.90-9.00)	8.80 (2.30-9.50)
398700013	AEG ECO PLUS 100PIH	10.50 (3.20-11.00)	11.50 (3.00-12.50)
398700015	AEG ECO PLUS 100PIH3	10.50 (3.20-11.00)	11.50 (3.00-12.50)
398700014	AEG ECO PLUS 140PIH	13.40 (4.00-14.20)	15.50 (3.90-16.00)
398700016	AEG ECO PLUS 140PIH3	13.40 (4.00-14.20)	15.50 (3.90-16.00)
398700017	AEG ECO PLUS 160PIH3	14.50 (6.80-16.80) Cassette-Floor/ceiling	17.00 (4.50-17.50) Cassette-Floor/ceiling
		16.00 (4.80-17.00) Ducted	17.00 (4.50-18.00) Ducted

A++ Cooling

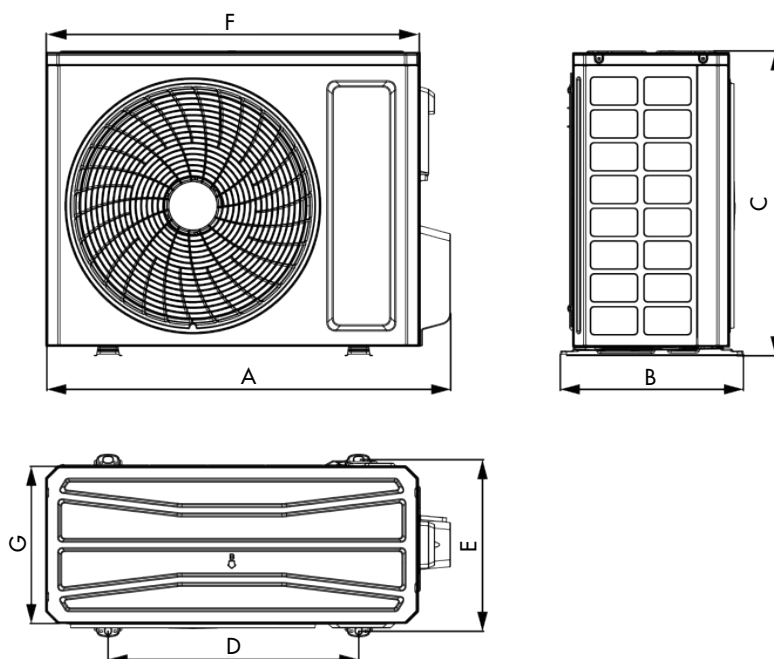
A+ Heating

LINE-UP

INDOOR UNITS

Code	Model	Features	
398700025	ASG ECO PLUS 35PH	<ul style="list-style-type: none"> - 8-way compact cassette with 360° air discharge - Integrated condensate drain pump - Ideal for installation in false ceiling 	
398100688	GRID CASSETTE COMPACT	Grid for compact cassette (35)	
398700026	ASG ECO PLUS 50PH	<ul style="list-style-type: none"> - 8-way cassette with 360° air discharge - Wide range of flap swinging - Integrated condensate drain pump 	
398700027	ASG ECO PLUS 71PH		
398700028	ASG ECO PLUS 85PH		
398700029	ASG ECO PLUS 100PH		
398700030	ASG ECO PLUS 140PH		
398700031	ASG ECO PLUS 160PH		
398100677	GRID BIG CASSETTE		
398700018	ADG ECO PLUS 35PH	<ul style="list-style-type: none"> - Low external static pressure slim ducted - Silence - Integrated condensate drain pump 	
398700019	ADG ECO PLUS 50PH	<ul style="list-style-type: none"> - High external static pressure ducted - Silence - Integrated condensate drain pump 	
398700020	ADG ECO PLUS 71PH		
398700021	ADG ECO PLUS 85PH		
398700022	ADG ECO PLUS 100PH		
398700023	ADG ECO PLUS 140PH		
398700024	ADG ECO PLUS 160PH		
398700032	ACG ECO PLUS 35PH		
398700033	ACG ECO PLUS 50PH		
398700034	ACG ECO PLUS 71PH		
398700035	ACG ECO PLUS 85PH		
398700036	ACG ECO PLUS 100PH		
398700037	ACG ECO PLUS 140PH		
398700038	ACG ECO PLUS 160PH		

OUTDOOR UNITS DIMENSIONAL DRAWING



MODEL	DIMENSIONS (mm)						
	A	B	C	D	E	F	G
AEG ECO PLUS 35PIH	732	330	553	455	310	675	285
AEG ECO PLUS 50PIH	802	350	555	512	331	745	300
AEG ECO PLUS 71PIH	958	402	660	570	371	889	340
AEG ECO PLUS 85PIH	958	402	660	570	371	889	340
AEG ECO PLUS 100PIH	1020	427	820	635	396	940	370
AEG ECO PLUS 100PIH3	1020	427	820	635	396	940	370
AEG ECO PLUS 140PIH	1020	427	820	635	396	940	370
AEG ECO PLUS 140PIH3	1020	427	820	635	396	940	370
AEG ECO PLUS 160PIH3	1020	427	960	755	396	990	370