



EN

## MOSQUITO KILLER



# Barbastello



## OPERATING INSTRUCTIONS

Read the instructions carefully before operating the appliance or carrying out maintenance operations. Observe all the safety instructions; failure to observe the instructions may lead to accidents and/or damage. Keep these instructions in a safe place for future reference.

## GENERAL SAFETY INFORMATION

- Use this mosquito killer only as outlined in this manual. Any other use not recommended by the manufacturer may cause fire, electric shock or injury to people.
- Ensure that the mains power complies with the voltage specified on the mosquito killer's data plate (220-240V~/50Hz).
- This product is not a toy. Children should be adequately supervised to ensure that they do not play with the appliance.
- This appliance is not suitable for use by people (including children) with reduced physical, sensory or mental abilities, or without the necessary experience and knowledge, unless they have been adequately supervised and instructed concerning use of the appliance by a person responsible for their safety.
- Do not cover the appliance or restrict the air inlet and outlet grilles.
- Ensure that all objects are at least 1 meter from the front and sides of the appliance.
- Disconnect the mains power when the appliance is not used or for cleaning operations.
- Avoid using the mosquito killer in dusty environments or in the presence of inflammable vapors (e.g. in workshops or garages) or paint vapors.
- Do not place anything on the appliance, do not use the appliance to dry clothing.
- Use the appliance in a well-ventilated area.
- Avoid placing fingers or foreign objects in the air inlet/outlet grilles, as this may lead to electric shock or fire and may damage the appliance.

### **WARNING: ELECTRIC SHOCK DANGER. DO NOT TOUCH INTERNAL GRIDS.**

The symbol below signals the above warning:



- To avoid the risk of fire, do not block the grilles or tamper with them in any way while the mosquito killer operates.
- Do not use the appliance if the cord or plug are damaged. If the power supply cord is damaged, it must be replaced by the manufacturer, dealer or a similarly qualified person so as to avoid any safety risks.
- Do not operate the appliance if it has fallen from a height or has suffered damage in any way. Contact qualified technical personnel to examine the appliance or perform any electrical or mechanical repairs.
- The most common cause of overheating is the build-up of dust in the appliance. Remove dust deposits by unplugging the appliance and cleaning the air outlets and grilles with the aid of a vacuum cleaner.
- Do not use abrasive detergents for cleaning this appliance. Clean the appliance with the aid of a damp (not wet) cloth rinsed in hot soapy water. Always remove the plug from the mains socket before cleaning.
- To disconnect the mosquito killer, push the switch to OFF and remove the plug from the socket. Pull on the plug only. Avoid pulling on the cord when disconnecting the mosquito killer.
- Do not place any objects on the cord and do not bend it.
- It is not advisable to use extension cords, as these may overheat and cause the risk of fire. Do not use a single extension cord to operate multiple appliances.
- Do not immerse the cord, plug or any other element of the appliance in water or other liquids.
- Do not touch the plug with wet hands.
- Do not place the mosquito killer above or near another heat source.
- The mosquito killer may cause the risk of fire if, while in operation, is covered by or comes into contact with **inflammable** material including curtains, drapery, blankets, etc. **KEEP THE MOSQUITO KILLER AWAY FROM THESE MATERIALS.**
- Do not connect the appliance to the mains power before it has been properly assembled and positioned.
- Do not run the cord under carpets. Do not cover the cord with blankets, carpets or similar materials. Place the cord far away from busy areas or where it cannot be accidentally pulled-out.
- Do not operate the mosquito killer in close proximity to bathtubs, showers, washbasins or pools.
- Do not position the mosquito killer below a socket outlet.
- Do not operate the appliance outdoors.

### **WARNING: DO NOT DEPEND ON THE ON/OFF BUTTON SWITCH AS THE SOLE MEANS OF DISCONNECTING POWER. WHEN SERVICING OR MOVING THE MOSQUITO KILLER, ALWAYS UNPLUG THE POWER CORD.**

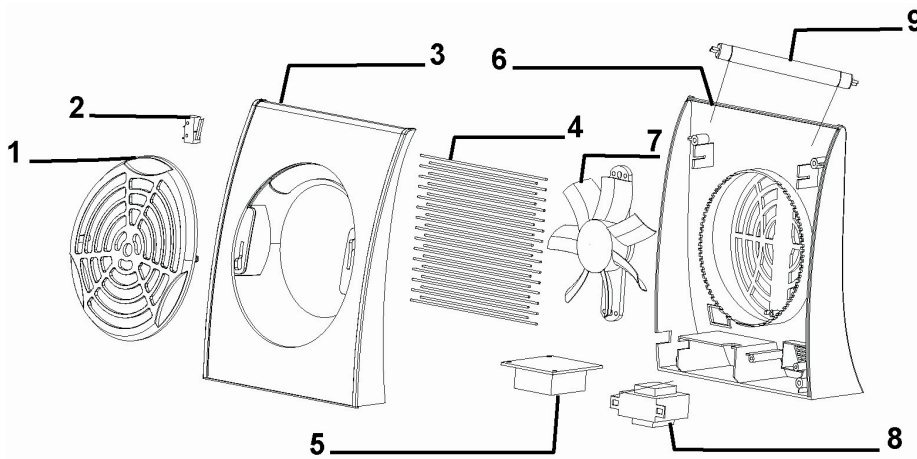
- A mosquito killer has hot and arcing or sparkling parts inside. It must not be used in potentially dangerous locations such

as flammable, explosive, chemical-laden or wet atmosphere.

- Do not place the mosquito killer on soft surfaces, like a bed, where openings may become blocked. Always place the mosquito killer on a stable, flat, level surface when operating, to avoid the chance of the overturning. Locate the power cord so the mosquito killer or other objects are not resting on it.
- In order to avoid accidents turn unit off if unattended.
- In the event of any problems (abnormal noise or a strange smell) switch off the appliance immediately, do not attempt to repair it and take it to your local after sales service.

**WARNING: DO NOT TO BREAK UV-A LAMPS.** They contain mercury that must not be released into the environment.

## DESCRIPTION OF PARTS



1. Front grid
2. ON/OFF switch
3. Front panel
4. High voltage grid
5. PCB panel
6. Rear grid
7. Intake fan
8. Transformer
9. UV-A lamp

## HOW TO USE THE APPLIANCE

This portable mosquito killer emits low power ultraviolet rays (U-A) to attract light sensitive flying insects, such as flies, moths, mosquitoes. These insects are electrocuted by metal grids electrically charged and subsequently fall into the device from where they can be removed. No chemicals, smells, sprays, dusts, vapors are used.

Mosquito killers are pollution free and harmless to people and animals.

Do not use this mosquito killer in an area with high humidity, full of dust or water.

This mosquito killer is suitable for houses, factories, offices, stores, hotels, restaurants, pubs, clinics, nursing homes.

This appliance is equipped with an intake fan that increases the ability to attract insects.

This appliance does not need to be installed.

Position the unit on a flat, stable surface.

Connect the power cord to a suitable power socket (220-240V~).

### ONLY FOR INDOOR USE – DO NOT USE OUTDOOR

Close the windows and doors and turn the lights off.

Place the mosquito killer in a dark corner of the room.

### ON/OFF SWITCH

Pressing the ON/OFF switch the appliance turns on and begins to operate.

To switch off the mosquito killer press the button again.

## MAINTENANCE AND STORAGE

**ALWAYS UNPLUG THE APPLIANCE BEFORE CLEANING OR MAINTENANCE.**  
**IMPORTANT: DO NOT SUBMERGE THE MOSQUITO KILLER IN WATER.**  
**CAUTION: RISK OF ELECTRIC SHOCK. DO NOT TOUCH THE INTERIOR GRIDS.**

The symbol below signals the above warning:



### Cleaning the outside surface of the appliance

Turn the switch off and unplug it before carrying out any maintenance work or moving the appliance.

Use a soft cloth to remove any dust from the mosquito killer.

If the mosquito killer is excessively dirty, use a soft cloth moistened with water and a mild detergent at a temperature lower than 50°C. Let the mosquito killer dry completely before use.

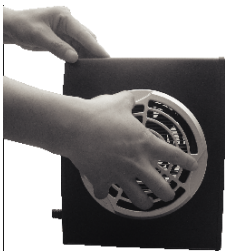
Do not use corrosive detergents or solvents such as petrol. Do not wash the appliance with water. Do not use oils, chemical substances or other items to clean that may damage the surface.

Use a vacuum cleaner to remove dust from the air inlet/outlet grilles.

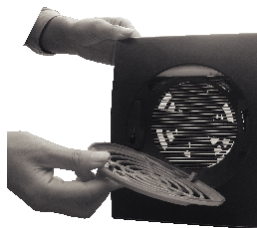
### Cleaning the inner fan and the high voltage grid

Clean the inner fan frequently, usually once a week, based on the environmental conditions under which the appliance is used: a dirty inner fan may and a dirty grid can prevent the fan from working properly.

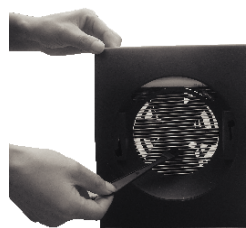
An electronic safety device interrupts the operation of the appliance when the front grid is removed.



1. Rotate the grid counterclockwise.



2. Remove the grid.



3. Clean the inner strands with the brush supplied.



4. Refit the front grid and rotate it clockwise to hook it.

### STORAGE

If the appliance is not used for prolonged periods, disconnect the power cord and store the appliance with this manual in its original packaging, in a cool and dry place.



#### INFORMATION FOR CORRECT DISPOSAL OF THE PRODUCT IN ACCORDANCE WITH EUROPEAN DIRECTIVE 2002/96/EC

When this appliance reaches the end of its useful life, it must not be disposed of with household waste. It must be delivered to appropriate separated waste disposal plants or to dealers that provide a similar service. Separate waste disposal of an electrical appliance prevents potential negative effects on the environment and human health resulting from inadequate disposal, and also allows the materials from which it is made to be recovered and recycled in order to achieve significant savings in terms of energy and resources. The separate disposal obligation is underlined by the crossed-out dustbin symbol appearing on the product. Illegal disposal of the product by the user shall result in the application of administrative sanctions as defined by current regulations.



[www.argoclima.com](http://www.argoclima.com)